



Great taste quicker

Ever wished your ceramic hob heated up faster? Now there's one that does. The new AEG Rapid Power hob has everything you love about ceramic, all cooking zones heat up at high speed, even the bigger zones. So it gets you cooking quicker and gives you the control you need.

Product Benefits & Features

Increase your cooking options

You can do more with this hob! Thanks to the extendable cooking zone, you can prepare dishes using a wider variety of pots and pans.

- Independent hob with controls
- Number cooking zones
- Hob with bevelled frame
- Hob²Hood
- Stop and Go function for short interruptions
- Illuminated controls
- Automatic fast heating up
- Eco Timer
- Count up timer
- Timer function
- OptiHeat Control
- Acoustic signal with switch off option
- Child safety lock function
- Key-lock function
- Hob safety: Automatic Switch Off
- Protection Box
- Ceramic glass colour: Black

The hands-free hood

The Hob2Hood function connects the hob and the hood. The cooker hood automatically adjusts the fan speed based on the heat, without lifting a finger. For powerful extraction when searing. And quieter extraction when simmering.



Put your cooking on hold

If you get interrupted while you're cooking, touch the Pause button. It stops all the heat when you're called away from the hob, so nothing burns. Pause remembers the heat levels you were using, and with another touch you're back on course.



Safe and efficient use of residual heat

For each heat zone, the hobs OptiHeat Control tracks the level of residual heat still remaining, enabling you to use this heat more safely and more efficiently.

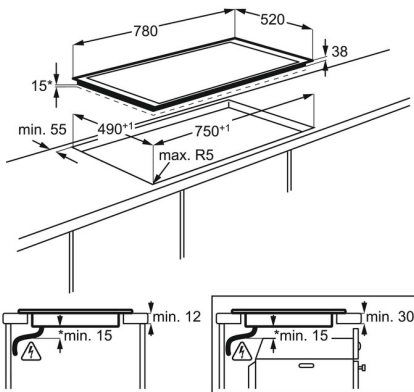
Sensitive controls for precision cooking

The Direct Touch controls on this hob help you get delicious results every time you cook. Slide controls let you turn the heat up, down or off with such accuracy that you get the response you want at just the right moment. So whatever mouth-watering meal you're cooking, induction helps you make it just the way you want to.

Product Specification

Installation	Independent	Weight package Paper/Carton	0
Product Number Code	949 597 124	Weight package Wood	0
EAN	7332543451326	Weight package PE	0
Built in height mm	38	Weight package PP	5
Width mm	780	Weight package Polystyrene (EPS/EPP)	314
Depth mm	520	Weight package PU	0
Width cutting	750	Weight package Iron	0
Depth cutting	490	Weight package Rubber	0
Hob type	Ceramic Glass	Protection box model den./PNC	PBOX-8R9I/944 189 315
Cord length external	1.5	Country of origin	DE
Type of plug	No		
Total electricity loading	7700		
Left front - Power/Diameter	2000W/180mm		
Rear - Power/Diameter	1600W/145mm		
Middle front - Power/Diameter	1100/2300/3400W/145/210/270mm		
Right front - Power/Diameter	1800/2800W/170x265mm		
Voltage	220-240		
Weight gross cleaner and accessories with packaging	10.88		
Weight net cleaner and accessories no packaging	9.88		
Package height	118		
Package width	868		
Package depth	600		
Weight package Corrugated Cardboard	640		

PSGBHO130D00091



PSGBHO210DE00005

