



Great taste quicker

Ever wished your ceramic hob heated up faster? Now there's one that does. The new AEG Rapid Power hob has everything you love about ceramic, all cooking zones heat up at high speed, even the bigger zones. So it gets you cooking quicker and gives you the control you need.

Product Benefits & Features

Increase your cooking options

You can do more with this hob! Thanks to the extendable cooking zone, you can prepare dishes using a wider variety of pots and pans.

- Independent hob with controls
- Number cooking zones
- New XL frame concept OptiFit Frame™
- Hob²Hood
- Stop and Go function for short interruptions
- Illuminated controls
- Automatic fast heating up
- Eco Timer
- Count up timer
- Timer function
- OptiHeat Control
- Acoustic signal with switch off option
- Child safety lock function
- Key-lock function
- Hob safety: Automatic Switch Off
- Protection Box
- OptiFix™: extremely fast installation concept
- Ceramic glass colour: Black

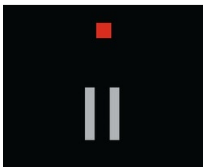
The hands-free hood

The Hob2Hood function connects the hob and the hood. The cooker hood automatically adjusts the fan speed based on the heat, without lifting a finger. For powerful extraction when searing. And quieter extraction when simmering.



Put your cooking on hold

If you get interrupted while you're cooking, touch the Pause button. It stops all the heat when you're called away from the hob, so nothing burns. Pause remembers the heat levels you were using, and with another touch you're back on course.



Safe and efficient use of residual heat

For each heat zone, the hobs OptiHeat Control tracks the level of residual heat still remaining, enabling you to use this heat more safely and more efficiently.

Sensitive controls for precision cooking

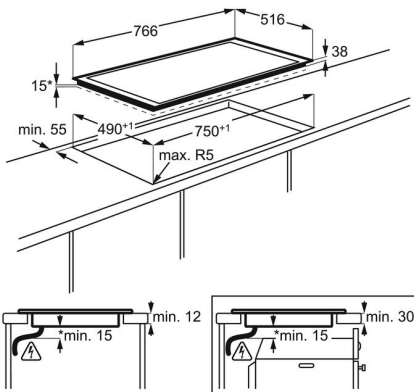
The Direct Touch controls on this hob help you get delicious results every time you cook. Slide controls let you turn the heat up, down or off with such accuracy that you get the response you want at just the right moment. So whatever mouth-watering meal you're cooking, induction helps you make it just the way you want to.

Product Specification

Installation	Independent
Product Number Code	949 597 109
EAN	7332543441921
Built in height mm	38
Width mm	766
Depth mm	516
Width cutting	750
Depth cutting	490
Frame Colour - colour of the frame	Stainless steel
Hob type	Ceramic Glass
Cord length external	1.5
Type of plug	No
Total electricity loading	7700
Left front - Power/Diameter	2000W/180mm
Rear - Power/Diameter	1600W/145mm
Middle front - Power/Diameter	1100/2300/3400W/145/210/270mm
Right front - Power/Diameter	1800/2800W/170x265mm
Voltage	220-240
Weight gross cleaner and accessories with packaging	10.88
Weight net cleaner and accessories no packaging	9.88
Package height	118
Package width	868
Package depth	600

Weight package Corrugated Cardboard	640
Weight package Paper/Carton	0
Weight package Wood	0
Weight package PE	0
Weight package PP	5
Weight package Polystyrene (EPS/EPP)	314
Weight package PU	0
Weight package Iron	0
Weight package Rubber	0
Protection box model den./PNC	PBOX-8R9I/944 189 315
Country of origin	DE

PSGBHO130D000078



PSGBHO210DE00002

