



Energy-efficient appliance. Benefits you and the environment

This energy-efficient appliance is optimised to consume less energy. Helping you to reduce your carbon footprint and be kind to the environment.

Product Benefits & Features



Safe storage for heavy items at every level of your fridge

This refrigerator has shelves of robust safety glass, which can safely support even the heaviest items.

- 880 mm built-in height
- Moveable feature door
- Mechanical temperature control
- Automatic defrosting of the cooling compartment
- Refrigerator shelves: 3 Full Width, Glass with Trim
- Refrigerator drawer(s): 1 Full Width
- Egg tray: 2 for 6 eggs
- Door hinges placement: Right & Reversible



Slide and store – the perfect place in the fridge for storing small items

Keep your small items close to hand. This refrigerator provides optimum storage conditions for small items thanks to a specially designed in-door sliding shelf that hangs from the shelf above. And because the shelf slides both left and right, you still have space to place taller items on the shelf



Intelligent design for simple, effective cleaning

The interior of this refrigerator has specially rounded corners to make cleaning it fast, simple and effective.

An ideal place for fresher, more flavoursome dairy products

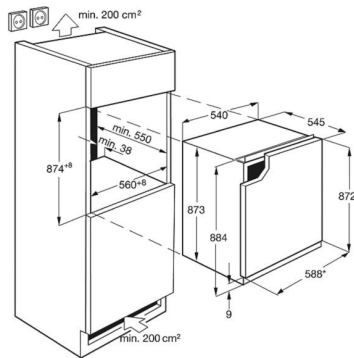
Storing your dairy products in this refrigerator's specially designed closed container will help you keep them fresh and preserve their delicate flavours.

Product Specification

Product Number Code	933 017 057
Bar code	7332543505050
ELNE20	E
YearEConsE20	94
TotVolE20	142
TotVolUnFrE20	142
NoiseCE20	C
NoiseIECE20	38
ClimE20	SN-N-ST-T
Number and type of egg trays	2 for 6 eggs
Height total	873
Width mm	540
Depth mm	549
Built in height mm	880
Built in width mm	560
Built in depth mm	550
Main colour	White
Connected load (W)	80
Voltage	230
Required fuse (A)	10
Frequency	50
Cord length external	2.4
Weight gross cleaner and accessories with packaging	30.45

Weight net cleaner and accessories no packaging	29
Package heigth	935
Package width	625
Package depth	630

PSAARE070D000003



* Türabmessungen (ohne Griff)