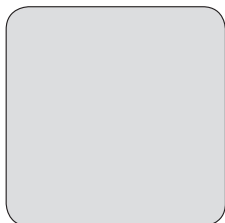
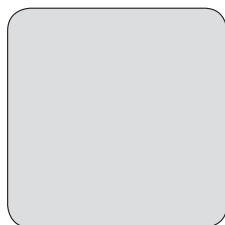
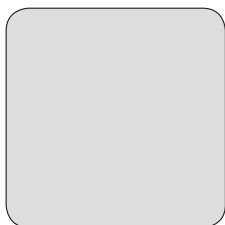


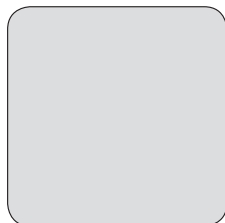
User Manual

Benutzerin-  
formation



Oven

Backofen



## CONTENTS

Safety information	2	Additional functions	8
Safety instructions	3	Hints and tips	8
Product description	6	Care and cleaning	15
Before first use	6	Troubleshooting	18
Daily use	6	Installation	18
Using the accessories	7	Energy efficiency	20

Subject to change without notice.

## SAFETY INFORMATION

Before the installation and use of the appliance, carefully read the supplied instructions. The manufacturer is not responsible for any injuries or damages that are the result of incorrect installation or usage. Always keep the instructions in a safe and accessible location for future reference.

### **Children and vulnerable people safety**

- This appliance can be used by children aged from 8 years and above and persons with reduced physical, sensory or mental capabilities or lack of experience and knowledge if they have been given supervision or instruction concerning the use of the appliance in a safe way and understand the hazards involved.
- Children between 3 and 8 years of age and persons with very extensive and complex disabilities shall be kept away unless continuously supervised.
- Children of less than 3 years of age should be kept away unless continuously supervised.
- Do not let children play with the appliance.
- Keep all packaging away from children and dispose of it appropriately.
- Keep children and pets away from the appliance when it operates or when it cools down. Accessible parts are hot.
- If the appliance has a child safety device, it should be activated.
- Children shall not carry out cleaning and user maintenance of the appliance without supervision.

## General Safety

- Only a qualified person must install this appliance and replace the cable.
- **WARNING:** The appliance and its accessible parts become hot during use. Care should be taken to avoid touching heating elements.
- Always use oven gloves to remove or put in accessories or ovenware.
- Before carrying out any maintenance, disconnect the appliance from the power supply.
- Ensure that the appliance is switched off before replacing the lamp to avoid the possibility of electric shock.
- Do not use a steam cleaner to clean the appliance.
- Do not use harsh abrasive cleaners or sharp metal scrapers to clean the glass door since they can scratch the surface, which may result in shattering of the glass.
- If the mains power supply cable is damaged, it must be replaced by the manufacturer, its Authorised Service Centre or similarly qualified persons to avoid an electrical hazard.
- To remove the shelf supports first pull the front of the shelf support and then the rear end away from the side walls. Install the shelf supports in the opposite sequence.

## SAFETY INSTRUCTIONS

---

### Installation



**WARNING!** Only a qualified person must install this appliance.

- Remove all the packaging.
- Do not install or use a damaged appliance.
- Follow the installation instructions supplied with the appliance.
- Always take care when moving the appliance as it is heavy. Always use safety gloves and enclosed footwear.
- Do not pull the appliance by the handle.

- Keep the minimum distance from other appliances and units.
- Install the appliance in a safe and suitable place that meets installation requirements.
- The appliance is equipped with an electric cooling system. It must be operated with the electric power supply.

### Electrical connection



**WARNING!** Risk of fire and electric shock.

- All electrical connections should be made by a qualified electrician.

- The appliance must be earthed.
- Make sure that the parameters on the rating plate are compatible with the electrical ratings of the mains power supply.
- Always use a correctly installed shockproof socket.
- Do not use multi-plug adapters and extension cables.
- Make sure not to cause damage to the mains plug and to the mains cable. Should the mains cable need to be replaced, this must be carried out by our Authorised Service Centre.
- Do not let mains cables touch or come near the appliance door, especially when the door is hot.
- The shock protection of live and insulated parts must be fastened in such a way that it cannot be removed without tools.
- Connect the mains plug to the mains socket only at the end of the installation. Make sure that there is access to the mains plug after the installation.
- If the mains socket is loose, do not connect the mains plug.
- Do not pull the mains cable to disconnect the appliance. Always pull the mains plug.
- Use only correct isolation devices: line protecting cut-outs, fuses (screw type fuses removed from the holder), earth leakage trips and contactors.
- The electrical installation must have an isolation device which lets you disconnect the appliance from the mains at all poles. The isolation device must have a contact opening width of minimum 3 mm.
- This appliance complies with the E.E.C. Directives.

## Use



**WARNING!** Risk of injury, burns and electric shock or explosion.

- This appliance is for household use only.

- Do not change the specification of this appliance.
- Make sure that the ventilation openings are not blocked.
- Do not let the appliance stay unattended during operation.
- Deactivate the appliance after each use.
- Be careful when you open the appliance door while the appliance is in operation. Hot air can release.
- Do not operate the appliance with wet hands or when it has contact with water.
- Do not apply pressure on the open door.
- Do not use the appliance as a work surface or as a storage surface.
- Open the appliance door carefully. The use of ingredients with alcohol can cause a mixture of alcohol and air.
- Do not let sparks or open flames to come in contact with the appliance when you open the door.
- Do not put flammable products or items that are wet with flammable products in, near or on the appliance.



**WARNING!** Risk of damage to the appliance.

- To prevent damage or discoloration to the enamel:
  - do not put ovenware or other objects in the appliance directly on the bottom.
  - do not put aluminium foil directly on the bottom of cavity of the appliance.
  - do not put water directly into the hot appliance.
  - do not keep moist dishes and food in the appliance after you finish the cooking.
  - be careful when you remove or install the accessories.
- Discoloration of the enamel or stainless steel has no effect on the performance of the appliance.
- Use a deep pan for moist cakes. Fruit juices cause stains that can be permanent.

- This appliance is for cooking purposes only. It must not be used for other purposes, for example room heating.
- Always cook with the oven door closed.
- If the appliance is installed behind a furniture panel (e.g. a door) make sure the door is never closed when the appliance is in operation. Heat and moisture can build up behind a closed furniture panel and cause subsequent damage to the appliance, the housing unit or the floor. Do not close the furniture panel until the appliance has cooled down completely after use.
- If you use an oven spray, follow the safety instruction on it's packaging.
- Do not clean the catalytic enamel (if applicable) with any kind of detergent.

## Internal lighting



**WARNING!** Risk of electric shock.

- The type of light bulb or halogen lamp used for this appliance is for household appliances only. Do not use it for house lighting.
- Before replacing the lamp, disconnect the appliance from the power supply.
- Only use lamps with the same specifications.

## Care and cleaning



**WARNING!** Risk of injury, fire, or damage to the appliance.

- Before maintenance, deactivate the appliance and disconnect the mains plug from the mains socket.
- Make sure the appliance is cold. There is the risk that the glass panels can break.
- Replace immediately the door glass panels when they are damaged. Contact the Authorised Service Centre.
- Be careful when you remove the door from the appliance. The door is heavy!
- Clean regularly the appliance to prevent the deterioration of the surface material.
- Clean the appliance with a moist soft cloth. Only use neutral detergents. Do not use any abrasive products, abrasive cleaning pads, solvents or metal objects.

## Service

- To repair the appliance contact an Authorised Service Centre.
- Use original spare parts only.

## Disposal

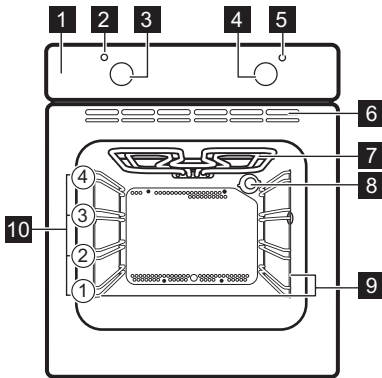


**WARNING!** Risk of injury or suffocation.

- Disconnect the appliance from the mains supply.
- Cut off the mains electrical cable close to the appliance and dispose of it.
- Remove the door catch to prevent children or pets from becoming trapped in the appliance.

## PRODUCT DESCRIPTION

### General overview



- 1 Control panel
- 2 Power lamp / symbol
- 3 Knob for the heating functions
- 4 Control knob (for the temperature)
- 5 Temperature indicator / symbol
- 6 Air vents for the cooling fan
- 7 Heating element
- 8 Lamp
- 9 Shelf support, removable
- 10 Shelf positions

### Accessories

- **Wire shelf**  
For cookware, cake tins, roasts.

- **Baking tray**  
For cakes and biscuits.

## BEFORE FIRST USE



**WARNING!** Refer to Safety chapters.

### Initial Cleaning



Remove all accessories and removable shelf supports from the oven.



Refer to "Care and cleaning" chapter.

Clean the oven and the accessories before first use.

Put the accessories and the removable shelf supports back to their initial position.

1. Set the function . Set the maximum temperature.
2. Let the oven operate for 1 hour.
3. Set the function . Set the maximum temperature.
4. Let the oven operate for 15 minutes.
5. Turn off the oven and let it cool down.

Accessories can become hotter than usual. The oven can emit an odour and smoke. Make sure that the airflow in the room is sufficient.

### Preheating





Preheat the empty oven before first use.

## DAILY USE



**WARNING!** Refer to Safety chapters.

## Oven functions

Oven function		Application
0	Off position	The oven is off.
	Bottom Heat	To bake cakes with crispy bottom and to preserve food.
	Fast Grilling	To grill flat food in large quantities and to toast bread.
	Conventional Cooking (Top / Bottom Heat)	To bake and roast food on one shelf position.
	Conventional Baking	This function is designed to save energy during cooking. For the cooking instructions refer to "Hints and tips" chapter, Conventional Baking. The oven door should be closed during cooking so that the function is not interrupted and to ensure that the oven operates with the highest energy efficiency possible. When you use this function, the temperature in the cavity may differ from the set temperature. The heating power may be reduced. For general energy saving recommendations refer to "Energy Efficiency" chapter, Energy Saving. This function was used to comply with the energy efficiency class according to EN 60350-1. When you use this function the lamp automatically turns off.

### Setting a heating function

1. Turn the knob for the heating functions to select a heating function.
2. Turn the control knob to select the temperature.

The lamp turns on when the oven operates.

3. To turn off the oven, turn the knob for the heating functions to the off position.

## USING THE ACCESSORIES

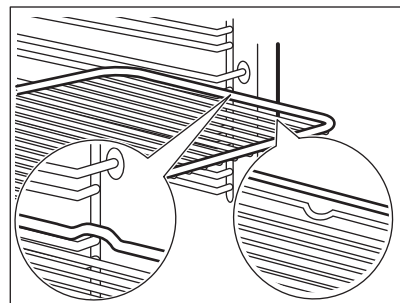


**WARNING!** Refer to Safety chapters.

### Inserting the accessories

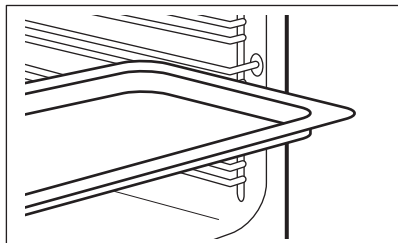
Wire shelf:

Push the shelf between the guide bars of the shelf support and make sure that the feet point down.



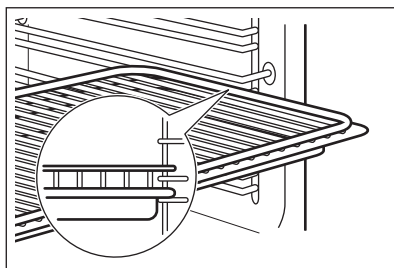
Baking tray:

Push the baking tray between the guide bars of the shelf support.



Wire shelf and baking tray together:

Push the baking tray between the guide bars of the shelf support and the wire shelf on the guide bars above.



Small indentation at the top increase safety. The indentations are also anti-tip devices. The high rim around the shelf prevents cookware from slipping of the shelf.

## ADDITIONAL FUNCTIONS

### Cooling fan

When the oven operates, the cooling fan turns on automatically to keep the surfaces of the oven cool. If you turn off the oven, the cooling fan can continue to operate until the oven cools down.

### Safety thermostat

Incorrect operation of the oven or defective components can cause

dangerous overheating. To prevent this, the oven has a safety thermostat which interrupts the power supply. The oven turns on again automatically when the temperature drops.

## HINTS AND TIPS



**WARNING!** Refer to Safety chapters.



The temperature and baking times in the tables are guidelines only. They depend on the recipes and the quality and quantity of the ingredients used.

### Cooking recommendations

The oven has four shelf positions.

Count the shelf positions from the bottom of the oven floor.

Your oven may bake or roast differently to the oven you had before. The below tables provide you with the standard settings for temperature, cooking time and shelf position.

If you cannot find the settings for a special recipe, look for the similar one.

### Baking cakes

Do not open the oven door before 3/4 of the set cooking time is up.

If you use two baking trays at the same time, keep one empty level between them.



### Cooking meat and fish

Leave the meat for approximately 15 minutes before carving so that the juice does not seep out.

To prevent too much smoke in the oven during roasting, add some water into the deep pan. To prevent the smoke condensation, add water each time after it dries up.

### Cooking times

Cooking times depend on the type of food, its consistency, and volume.

Initially, monitor the performance when you cook. Find the best settings (heat setting, cooking time, etc.) for your cookware, recipes and quantities when you use this appliance.

## Baking and roasting table

### Cakes

Food	Top / Bottom Heat		Time (min)	Comments
	Temperature (°C)	Shelf position		
Whisked recipes	170	2	45 - 60	In a cake mould
Shortbread dough	170	2	24 - 34	In a cake mould
Butter-milk cheese cake	170	1	60 - 80	In a 26 cm cake mould
Apple cake (Apple pie)	170	1	100 - 120	In two 20 cm cake moulds on a wire shelf
Strudel	175	2	60 - 80	In a baking tray
Jam-tart	170	2	30 - 40	In a 26 cm cake mould
Fruit cake	170	2	60 - 70	In a 26 cm cake mould
Sponge cake (Fatless sponge cake)	170	2	35 - 45	In a 26 cm cake mould
Christmas cake / Rich fruit cake	170	2	50 - 60	In a 20 cm cake mould
Plum cake <sup>1)</sup>	170	2	50 - 60	In a bread tin
Small cakes	170	3	20 - 30	In a baking tray
Biscuits <sup>1)</sup>	150	3	20 - 30	In a baking tray
Meringues	100	3	90 - 120	In a baking tray

Food	Top / Bottom Heat		Time (min)	Comments
	Temperature (°C)	Shelf position		
Buns <sup>1)</sup>	190	3	15 - 20	In a baking tray
Choux <sup>1)</sup>	190	3	25 - 35	In a baking tray
Plate tarts	180	3	45 - 70	In a 20 cm cake mould
Victoria sandwich	180	1 or 2	40 - 55	Left + right in a 20 cm cake mould

<sup>1)</sup> Preheat the oven for 10 minutes.

### Bread and pizza

Food	Top / Bottom Heat		Time (min)	Comments
	Temperature (°C)	Shelf position		
White bread <sup>1)</sup>	190	1	60 - 70	1 - 2 pieces, 500 gr one piece
Rye bread	190	1	30 - 45	In a bread tin
Bread rolls <sup>1)</sup>	190	2	25 - 40	6 - 8 rolls in a baking tray
Pizza <sup>1)</sup>	190	1	20 - 30	On a deep pan
Scones <sup>1)</sup>	200	3	10 - 20	In a baking tray

<sup>1)</sup> Preheat the oven for 10 minutes.

### Flans

Food	Top / Bottom Heat		Time (min)	Comments
	Temperature (°C)	Shelf position		
Pasta flan	180	2	40 - 50	In a mould
Vegetable flan	200	2	45 - 60	In a mould
Quiches	190	1	40 - 50	In a mould
Lasagne	200	2	25 - 40	In a mould
Cannelloni	200	2	25 - 40	In a mould

Food	Top / Bottom Heat		Time (min)	Comments
	Temperature (°C)	Shelf position		
Yorkshire pudding <sup>1)</sup>	220	2	20 - 30	6 pudding mould

<sup>1)</sup> Preheat the oven for 10 minutes.

## Meat

Food	Top / Bottom Heat		Time (min)	Comments
	Temperature (°C)	Shelf position		
Beef	200	2	50 - 70	On a wire shelf and a deep pan
Pork	180	2	90 - 120	On a wire shelf and a deep pan
Veal	190	2	90 - 120	On a wire shelf and a deep pan
English roast beef rare	210	2	44 - 50	On a wire shelf and a deep pan
English roast beef medium	210	2	51 - 55	On a wire shelf and a deep pan
English roast beef well done	210	2	55 - 60	On a wire shelf and a deep pan
Shoulder of pork	180	2	120 - 150	On a deep pan
Shin of pork	180	2	100 - 120	2 pieces on a deep an
Lamb	190	2	110 - 130	Leg
Chicken	200	2	70 - 85	Whole on a deep pan
Turkey	180	1	210 - 240	Whole on a deep pan

Food	Top / Bottom Heat		Time (min)	Comments
	Temperature (°C)	Shelf position		
Duck	175	2	120 - 150	Whole on a deep pan
Goose	175	1	150 - 200	Whole on a deep pan
Rabbit	190	2	60 - 80	Cut in pieces
Hare	190	2	150 - 200	Cut in pieces
Pheasant	190	2	90 - 120	Whole on a deep pan

### Fish

Food	Top / Bottom Heat		Time (min)	Comments
	Temperature (°C)	Shelf position		
Trout / Sea bream	190	2	40 - 55	3 - 4 fishes
Tuna fish / Salmon	190	2	35 - 60	4 - 6 fillets

### Grilling

Set the temperature to 250 °C.

Preheat the oven for 10 minutes.

Use the third position.

Food	Quantity		Time (min)	
	Pieces	Quantity (kg)	1st side	2nd side
Fillet steaks	4	0.8	12 - 15	12 - 14
Beef steaks	4	0.6	10 - 12	6 - 8
Sausages	8	-	12 - 15	10 - 12
Pork chops	4	0.6	12 - 16	12 - 14
Chicken (cut in 2)	2	1	30 - 35	25 - 30
Kebabs	4	-	10 - 15	10 - 12
Breast of chicken	4	0.4	12 - 15	12 - 14
Hamburger	6	0.6	20 - 30	-

Food	Quantity		Time (min)	
	Pieces	Quantity (kg)	1st side	2nd side
Fish fillet	4	0.4	12 - 14	10 - 12
Toasted sandwiches	4 - 6	-	5 - 7	-
Toast	4 - 6	-	2 - 4	2 - 3

## Conventional Baking



For best results follow suggestions listed in the table below.

Food	Accessories	Temperature (°C)	Shelf position	Time (min)
Sweet rolls, 12 pieces	baking tray or dripping pan	180	2	35 - 40
Rolls, 9 pieces	baking tray or dripping pan	180	2	35 - 40
Pizza, frozen, 0.35 kg	wire shelf	220	2	35 - 40
Swiss roll	baking tray or dripping pan	170	2	30 - 40
Brownie	baking tray or dripping pan	180	2	30 - 40
Soufflè, 6 pieces	ceramic ramekins on wire shelf	200	3	30 - 40
Sponge flan base	flan base tin on wire shelf	170	2	20 - 30
Victoria Sandwich	baking dish on wire shelf	170	2	35 - 45
Poached fish, 0.3 kg	baking tray or dripping pan	180	3	35 - 45
Whole fish, 0.2 kg	baking tray or dripping pan	180	3	35 - 45
Fish fillet, 0.3 kg	pizza pan on wire shelf	180	3	35 - 45
Poached meat, 0.25 kg	baking tray or dripping pan	200	3	40 - 50

Food	Accessories	Temperature (°C)	Shelf position	Time (min)
Shashlik, 0.5 kg	baking tray or dripping pan	200	3	25 - 35
Cookies, 16 pieces	baking tray or dripping pan	180	2	20 - 30
Macaroons, 20 pieces	baking tray or dripping pan	180	2	40 - 45
Muffins, 12 pieces	baking tray or dripping pan	170	2	30 - 40
Savory pastry, 16 pieces	baking tray or dripping pan	170	2	35 - 45
Short crust biscuits, 20 pieces	baking tray or dripping pan	150	2	40 - 50
Tartlets, 8 pieces	baking tray or dripping pan	170	2	20 - 30
Poached vegetables, 0.4 kg	baking tray or dripping pan	180	3	35 - 40
Vegetarian omelette	pizza pan on wire shelf	200	3	30 - 45
Vegetables, mediterranean 0.7 kg	baking tray or dripping pan	180	4	35 - 40

## Information for test institutes

Tests according to IEC 60350-1.

Food	Function	Accessories	Shelf position	Temperature (°C)	Time (min)	Comments
Small cake	Conventional Cooking	Baking tray	3	170	20 - 30	Put 20 small cakes per one baking tray.
Apple pie	Conventional Cooking	Wire shelf	1	170	80 - 120	Use 2 tins (20 cm diameter), diagonally shifted.

Food	Function	Accessories	Shelf position	Temperature (°C)	Time (min)	Comments
Sponge cake	Conventional Cooking	Wire shelf	2	170	35 - 45	Use a cake mould (26 cm diameter).
Short bread	Conventional Cooking	Baking tray	3	150	20 - 35	Preheat the oven for 10 minutes.
Toast 4 - 6 pieces	Grilling	Wire shelf	3	max.	2 - 4 minutes first side; 2 - 3 minutes second side	Preheat the oven for 3 minutes.
Beef burger 6 pieces, 0.6 kg	Grilling	Wire shelf and dripping pan	3	max.	20 - 30	Put the wire shelf on the third level and the dripping pan on the second level of the oven. Turn the food halfway through the cooking time. Preheat the oven for 3 minutes.

## CARE AND CLEANING



**WARNING!** Refer to Safety chapters.

### Notes on cleaning

Clean the front of the oven with a soft cloth with warm water and a mild cleaning agent.

To clean metal surfaces, use a dedicated cleaning agent.

Clean the oven interior after each use. Fat accumulation or other food remains may result in a fire.

Clean all accessories after each use and let them dry. Use a soft cloth with warm

water and a cleaning agent. Do not clean the accessories in the dishwasher.

Clean stubborn dirt with a special oven cleaner.

If you have nonstick accessories, do not clean them using aggressive agents, sharp-edged objects or a dishwasher. It can cause damage to the nonstick coating.

Moisture can condense in the oven or on the door glass panels. To decrease the condensation, operate the oven for 10 minutes before cooking. Clean the moisture from the cavity after each use.

## Stainless steel or aluminium ovens

Clean the oven door with a damp cloth or sponge only. Dry it with a soft cloth.

Do not use steel wool, acids or abrasive materials as they can damage the oven surface. Clean the oven control panel with the same precautions.

## Cleaning the door gasket

Regularly do a check of the door gasket. The door gasket is around the frame of the oven cavity. Do not use the oven if the door gasket is damaged. Contact an Authorised Service Centre.

To clean the door gasket, refer to the general information about cleaning.

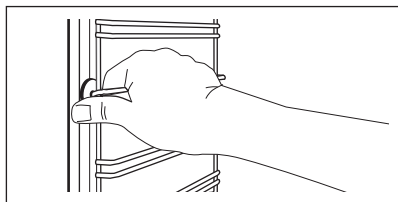
## Removing the shelf supports

To clean the oven, remove the shelf supports.

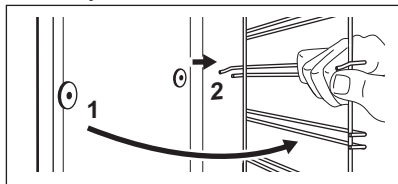


**CAUTION!** Be careful when you remove the shelf supports.

1. Pull the front of the shelf support away from the side wall.



2. Pull the rear end of the shelf support away from the side wall and remove it.



Install the removed accessories in the opposite sequence.

## Removing and installing door

The oven door has two glass panels. You can remove the oven door and the internal glass panel to clean it. Read the whole "Removing and installing door" instruction before you remove the glass panels.

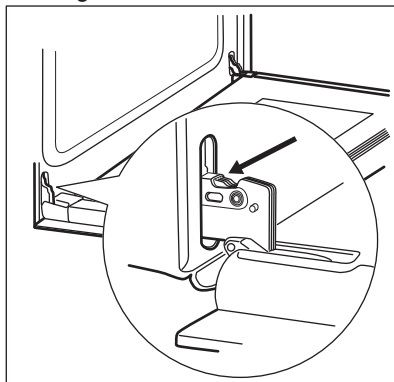


The oven door may close if you try to remove the internal glass panel before you remove the oven door.

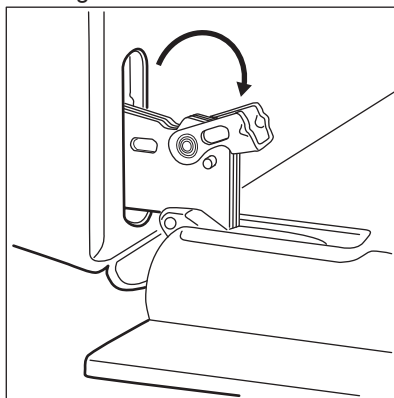


**CAUTION!** Do not use the oven without the internal glass panel.

1. Open the door fully and hold both hinges.



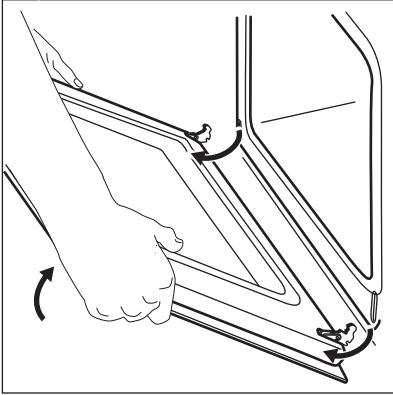
2. Lift and turn the levers fully on both hinges.



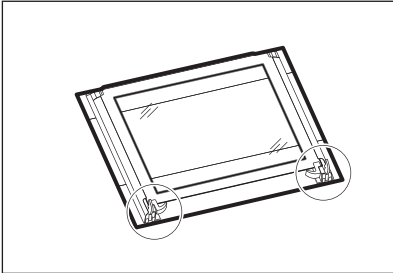
3. Close the oven door halfway to the first opening position. Then lift and pull



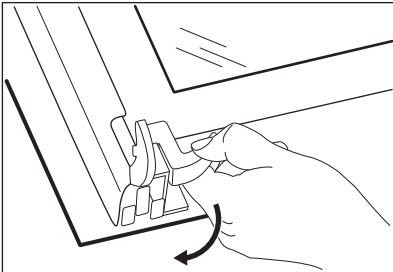
forward and remove the door from its seat.



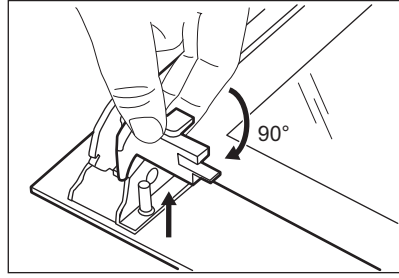
4. Put the door on a soft cloth on a stable surface.



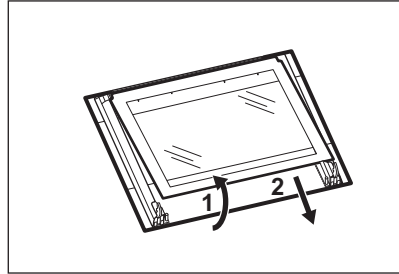
5. Release the locking system to remove the internal glass panel.



6. Turn the two fasteners by 90° and remove them from their seats.



7. First lift carefully and then remove the glass panel.

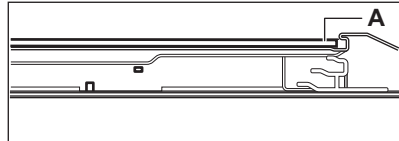


8. Clean the glass panels with water and soap. Dry the glass panels carefully. Do not clean the glass panels in the dishwasher.

When the cleaning is completed, install the glass panel and the oven door.

When installed correctly the door trim clicks.

Make sure that you install the internal glass panel in the seats correctly.



## Replacing the lamp



**WARNING!** Risk of electric shock.

The lamp can be hot.

1. Turn off the oven.  
Wait until the oven is cooled down.
2. Disconnect the oven from the mains.
3. Put a cloth on the bottom of the cavity.

## The back lamp

1. Turn the lamp glass cover to remove it.
2. Clean the glass cover.
3. Replace the lamp with a suitable 300 °C heat-resistant lamp.
4. Install the glass cover.

## TROUBLESHOOTING

---



**WARNING!** Refer to Safety chapters.

### What to do if...

Problem	Possible cause	Remedy
The oven does not heat up.	The oven is deactivated.	Activate the oven.
The oven does not heat up.	The fuse is blown.	Make sure that the fuse is the cause of the malfunction. If the fuse is blown again and again, contact a qualified electrician.
The lamp does not operate.	The lamp is defective.	Replace the lamp.
Steam and condensation settle on the food and in the cavity of the oven.	You left the dish in the oven for too long.	Do not leave the dishes in the oven for longer than 15 - 20 minutes after the cooking process ends.

### Service data

If you cannot find a solution to the problem yourself, contact your dealer or an Authorised Service Centre.

The necessary data for the service centre is on the rating plate. The rating plate is

on the front frame of the oven cavity. Do not remove the rating plate from the oven cavity.

#### We recommend that you write the data here:

Model (MOD.)	.....
Product number (PNC)	.....
Serial number (S.N.)	.....

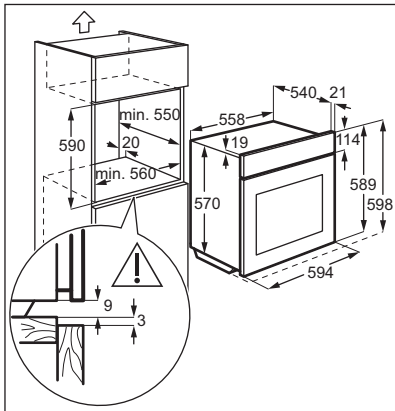
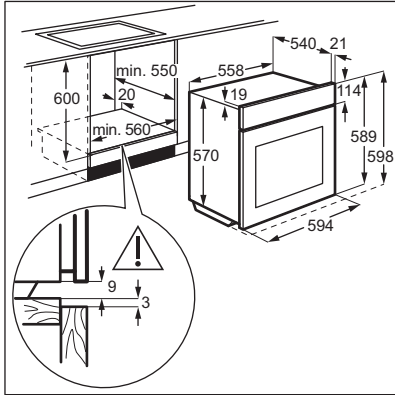
## INSTALLATION

---

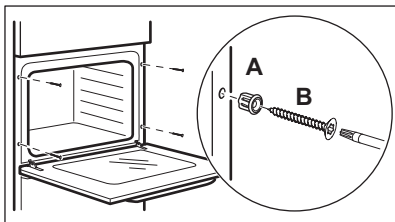


**WARNING!** Refer to Safety chapters.

## Building In



## Securing the appliance to the cabinet



## Electrical installation

**i** The manufacturer is not responsible if you do not follow the safety precautions from the Safety chapters.

This appliance is supplied with a main plug and a main cable.

### Cable

Cable types applicable for installation or replacement:

H07 RN-F, H05 RN-F, H05 RRF, H05 VV-F, H05 V2V2-F (T90), H05 BB-F

For the section of the cable refer to the total power on the rating plate. You can also refer to the table:

Total power (W)	Section of the cable (mm <sup>2</sup> )
maximum 1380	3 x 0.75
maximum 2300	3 x 1
maximum 3680	3 x 1.5

The earth cord (green / yellow cable) must be 2 cm longer than phase and neutral cables (blue and brown cables).

## ENERGY EFFICIENCY

### Product Fiche and information according to EU 65-66/2014

Supplier's name	Junco
Model identification	JB030A9
Energy Efficiency Index	95.1
Energy efficiency class	A
Energy consumption with a standard load, conventional mode	0.77 kWh/cycle
Number of cavities	1
Heat source	Electricity
Volume	61 l
Type of oven	Built-In Oven
Mass	25.3 kg

EN 60350-1 - Household electric cooking appliances - Part 1: Ranges, ovens, steam ovens and grills - Methods for measuring performance.

### Energy saving



The oven contains features which help you save energy during everyday cooking.

#### General hints

Make sure that the oven door is closed properly when the oven operates. Do not open the door too often during cooking. Keep the door gasket clean and make sure it is well fixed in its position.

Use metal dishes to improve energy saving.

When possible, do not preheat the oven before you put the food inside.

When the cooking duration is longer than 30 minutes, reduce the oven temperature to minimum 3 - 10 minutes before the end of the cooking time, depending on the duration of the cooking. The residual heat inside the oven will continue to cook.

Use the residual heat to warm up other dishes.

Keep breaks between baking as short as possible when you prepare few dishes at one time.


#### Keep food warm


Choose the lowest possible temperature setting to use residual heat and keep a meal warm.

#### Conventional Baking

Function designed to save energy during cooking.

## ENVIRONMENTAL CONCERNS

Recycle materials with the symbol . Put the packaging in relevant containers to recycle it. Help protect the environment and human health by recycling waste of electrical and electronic appliances. Do

not dispose of appliances marked with the symbol  with the household waste. Return the product to your local recycling facility or contact your municipal office.

## INHALTSVERZEICHNIS

Sicherheitshinweise	21	Zusatzfunktionen	28
Sicherheitsanweisungen	23	Tipps und Hinweise	28
Gerätebeschreibung	25	Reinigung und Pflege	35
Vor der ersten Inbetriebnahme	26	Fehlersuche	38
Täglicher Gebrauch	26	Montage	39
Verwendung des Zubehörs	27	Energieeffizienz	41

Änderungen vorbehalten.

## SICHERHEITSHINWEISE

Lesen Sie vor der Montage und dem Gebrauch des Geräts zuerst die Gebrauchsanleitung. Bei Verletzungen oder Schäden infolge nicht ordnungsgemäßer Montage oder Verwendung des Geräts übernimmt der Hersteller keine Haftung. Bewahren Sie die Anleitung immer an einem sicheren und zugänglichen Ort zum späteren Nachschlagen auf.

### **Sicherheit von Kindern und schutzbedürftigen Personen**

- Das Gerät kann von Kindern ab 8 Jahren und Personen mit eingeschränkten physischen, sensorischen oder geistigen Fähigkeiten oder mit mangelnder Erfahrung und/oder mangelndem Wissen nur dann verwendet werden, wenn sie durch eine für ihre Sicherheit zuständige Person beaufsichtigt werden oder in die sichere Verwendung des Geräts eingewiesen wurden und die mit dem Gerät verbundenen Gefahren verstanden haben.
- Kinder zwischen 3 und 8 Jahren und Personen mit schweren Behinderungen oder Mehrfachbehinderung müssen vom Gerät ferngehalten werden, wenn sie nicht ständig beaufsichtigt werden.
- Halten Sie Kinder unter 3 Jahren vom Gerät fern, wenn sie nicht ständig beaufsichtigt werden.
- Kinder dürfen nicht mit dem Gerät spielen.
- Halten Sie sämtliches Verpackungsmaterial von Kindern fern und entsorgen Sie es auf angemessene Weise.

- Halten Sie Kinder und Haustiere während des Betriebs oder der Abkühlphase vom Gerät fern. Berührbare Teile sind heiß.
- Falls Ihr Gerät mit einer Kindersicherung ausgestattet ist, empfehlen wir, diese einzuschalten.
- Kinder dürfen keine Reinigung und Wartung ohne Beaufsichtigung durchführen.

## **Allgemeine Sicherheit**

- Die Montage des Geräts und der Austausch des Kabels muss von einer Fachkraft vorgenommen werden.
- **WARNUNG:** Das Gerät und die zugänglichen Geräteteile werden während des Betriebs heiß. Seien Sie vorsichtig und berühren Sie niemals die Heizelemente.
- Verwenden Sie zum Anfassen des Zubehörs und der Töpfe wärmeisolierende Handschuhe.
- Ziehen Sie bitte vor jeder Wartungsmaßnahme den Netzstecker aus der Steckdose.
- Vergewissern Sie sich, dass das Gerät ausgeschaltet ist, bevor Sie die Lampe austauschen, um einen Stromschlag zu vermeiden.
- Reinigen Sie das Gerät nicht mit einem Dampfstrahlreiniger.
- Benutzen Sie keine scharfe Scheuermittel oder Metallschwämmchen zum Reinigen der Glastür; sie können die Glasfläche verkratzen und zum Zersplittern der Scheibe führen.
- Wenn das Netzkabel beschädigt ist, muss es vom Hersteller, seinem autorisierten Kundenservice oder einer gleichermaßen qualifizierten Person ausgetauscht werden, um Gefahren durch elektrischen Strom zu vermeiden.
- Ziehen Sie die Einhängegitter erst vorne und dann hinten von der Seitenwand weg und nehmen Sie sie heraus. Führen Sie zum Einsetzen der Einhängegitter die obigen Schritte in umgekehrter Reihenfolge durch.

# SICHERHEITSANWEISUNGEN

## Montage



**WARNUNG!** Die Montage des Geräts darf nur von einer qualifizierten Fachkraft durchgeführt werden.

- Entfernen Sie das Verpackungsmaterial.
- Montieren Sie ein beschädigtes Gerät nicht und benutzen Sie es nicht.
- Halten Sie sich an die mitgelieferte Montageanleitung.
- Seien Sie beim Umsetzen des Gerätes vorsichtig, da es sehr schwer ist. Tragen Sie stets Sicherheitshandschuhe und festes Schuhwerk.
- Ziehen Sie das Gerät nicht am Griff.
- Die Mindestabstände zu anderen Geräten und Küchenmöbeln sind einzuhalten.
- Montieren Sie das Gerät an einem sicheren und geeigneten Ort, der den Montageanforderungen entspricht.
- Das Gerät ist mit einem elektrischen Kühlsystem ausgestattet. Es muss an die Stromversorgung angeschlossen werden.

## Elektrischer Anschluss



**WARNUNG!** Brand- und Stromschlaggefahr.

- Alle elektrischen Anschlüsse sind von einem geprüften Elektriker vorzunehmen.
- Das Gerät muss geerdet sein.
- Stellen Sie sicher, dass die Daten auf dem Typenschild mit den elektrischen Nennwerten der Netzspannung übereinstimmen.
- Schließen Sie das Gerät unbedingt an eine ordnungsgemäß installierte Schutzkontaktsteckdose an.
- Verwenden Sie keine Mehrfachsteckdosen oder Verlängerungskabel.
- Achten Sie darauf, Netzstecker und Netzkabel nicht zu beschädigen. Falls

das Netzkabel des Geräts ersetzt werden muss, lassen Sie diese Arbeit durch unseren autorisierten Kundendienst durchführen.

- Achten Sie darauf, dass das Netzkabel die Gerätetür nicht berührt oder in ihre Nähe gelangt, insbesondere wenn die Tür heiß ist.
- Alle Teile, die gegen direktes Berühren schützen, sowie die isolierten Teile müssen so befestigt werden, dass sie nicht ohne Werkzeug entfernt werden können.
- Stecken Sie den Netzstecker erst nach Abschluss der Montage in die Steckdose. Stellen Sie sicher, dass der Netzstecker nach der Montage noch zugänglich ist.
- Falls die Steckdose lose ist, schließen Sie den Netzstecker nicht an.
- Ziehen Sie nicht am Netzkabel, wenn Sie das Gerät von der Stromversorgung trennen möchten. Ziehen Sie stets am Netzstecker.
- Verwenden Sie nur geeignete Trenneinrichtungen: Überlastschalter, Sicherungen (Schraubsicherungen müssen aus dem Halter entfernt werden können), Fehlerstromschutzschalter und Schütze.
- Die elektrische Installation muss eine Trenneinrichtung aufweisen, mit der Sie das Gerät allpolig von der Stromversorgung trennen können. Die Trenneinrichtung muss mit einer Kontaktöffnungsbreite von mindestens 3 mm ausgeführt sein.
- Das Gerät entspricht den EC-Richtlinien.

## Verwendung



**WARNUNG!** Verletzungs-, Verbrennungs-, Stromschlag- oder Explosionsgefahr.

- Dieses Gerät ist ausschließlich zur Verwendung im Haushalt bestimmt.

- Nehmen Sie keine technischen Änderungen am Gerät vor.
- Die Lüftungsöffnungen dürfen nicht abgedeckt werden.
- Lassen Sie das Gerät bei Betrieb nicht unbeaufsichtigt.
- Schalten Sie das Gerät nach jedem Gebrauch aus.
- Gehen Sie beim Öffnen der Tür vorsichtig vor, wenn das Gerät in Betrieb ist. Es kann heiße Luft austreten.
- Bedienen Sie das Gerät nicht mit feuchten oder nassen Händen oder wenn es mit Wasser in Kontakt gekommen ist.
- Üben Sie keinen Druck auf die geöffnete Gerätetür aus.
- Benutzen Sie das Gerät nicht als Arbeits- oder Abstellfläche.
- Öffnen Sie die Gerätetür vorsichtig. Wenn Sie Zutaten mit Alkohol verwenden, kann ein Alkohol-Luftgemisch entstehen.
- Achten Sie beim Öffnen der Tür darauf, dass keine Funken oder offenen Flammen in das Gerät gelangen.
- Laden Sie keine entflammaren Produkte oder Gegenstände, die mit entflammaren Produkten benetzt sind, in das Gerät und stellen Sie solche nicht in die Nähe oder auf das Gerät.



**WARNUNG!** Risiko von Schäden am Gerät.

- Um Beschädigungen und Verfärbungen der Emailbeschichtung zu vermeiden:
  - Stellen Sie feuerfestes Geschirr oder andere Gegenstände nicht direkt auf den Boden des Geräts.
  - Legen Sie keine Alufolie direkt auf den Boden des Garraums.
  - Füllen Sie kein Wasser in das heiße Gerät.
  - Lassen Sie nach Abschluss des Garvorgangs kein feuchtes Geschirr oder feuchte Speisen im Gerät stehen.
  - Gehen Sie beim Herausnehmen oder Einsetzen des Zubehörs sorgfältig vor.

- Verfärbungen der Email- oder Edelstahlbeschichtung haben keine Auswirkung auf die Leistung des Geräts.
- Verwenden Sie für feuchte Kuchen das tiefe Blech. Fruchtsäfte können bleibende Flecken verursachen.
- Dieses Gerät ist nur zum Kochen bestimmt. Jeder andere Gebrauch ist als bestimmungsfremd anzusehen, zum Beispiel das Beheizen eines Raums.
- Die Backofentür muss beim Betrieb geschlossen sein.
- Ist das Gerät hinter einer Möbelfront (z.B. einer Tür) installiert, achten Sie darauf, dass die Tür während des Gerätebetriebs nicht geschlossen wird. Hinter einer geschlossenen Möbelfront können sich Hitze und Feuchtigkeit ansammeln und das Gerät, Gehäuse oder den Boden beschädigen. Schließen Sie die Möbelfront nicht, bevor das Gerät nach dem Gebrauch vollständig abgekühlt ist.

## Reinigung und Pflege



**WARNUNG!** Verletzungs-, Brandgefahr sowie Risiko von Schäden am Gerät.

- Schalten Sie das Gerät immer aus und ziehen Sie den Netzstecker aus der Steckdose, bevor Reinigungsarbeiten durchgeführt werden.
- Vergewissern Sie sich, dass das Gerät abgekühlt ist. Es besteht die Gefahr, dass die Glasscheiben brechen.
- Ersetzen Sie die Türglasscheiben umgehend, wenn sie beschädigt sind. Wenden Sie sich an den autorisierten Kundendienst.
- Gehen Sie beim Aushängen der Tür vorsichtig vor. Die Tür ist schwer!
- Reinigen Sie das Gerät regelmäßig, um eine Verschlechterung des Oberflächenmaterials zu verhindern.
- Reinigen Sie das Gerät mit einem weichen, feuchten Tuch. Verwenden Sie ausschließlich Neutralreiniger. Benutzen Sie keine Scheuermittel,



scheuernde Reinigungsschwämmchen, Lösungsmittel oder Metallgegenstände.

- Falls Sie ein Backofenspray verwenden, befolgen Sie die Anweisungen auf der Verpackung.
- Reinigen Sie die katalytische Emailbeschichtung (falls vorhanden) nicht mit Reinigungsmitteln.

## Innenbeleuchtung



**WARNING!**  
Stromschlaggefahr.

- Die Leuchtmittel oder die Halogenlampe in diesem Gerät sind nur für Haushaltsgeräte geeignet. Benutzen Sie diese nicht für die Raumbelichtung.
- Trennen Sie das Gerät von der Stromversorgung, bevor Sie die Lampe austauschen.
- Verwenden Sie dazu eine Lampe mit der gleichen Leistung .

## Service

- Wenden Sie sich zur Reparatur des Geräts an einen autorisierten Kundendienst.
- Verwenden Sie ausschließlich Originalersatzteile.

## Entsorgung

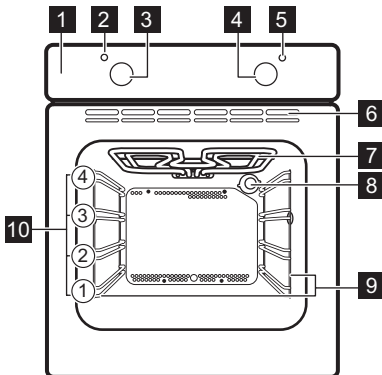


**WARNING!** Verletzungs- und Erstickungsgefahr.

- Trennen Sie das Gerät von der Stromversorgung.
- Schneiden Sie das Netzkabel in der Nähe des Geräts ab, und entsorgen Sie es.
- Entfernen Sie das Türschloss, um zu verhindern, dass sich Kinder oder Haustiere im Gerät einschließen.

## GERÄTEBESCHREIBUNG

### Gesamtansicht



- 1 Bedienfeld
- 2 Betriebskontrolllampe/-symbol
- 3 Einstellknopf für die Ofenfunktionen
- 4 Einstellknopf (für die Temperatur)
- 5 Temperaturanzeige/-symbol
- 6 Lüftungsöffnungen für das Kühlgebläse
- 7 Heizelement
- 8 Backofenbeleuchtung
- 9 Einhängegeritter, herausnehmbar
- 10 Einschubebenen

### Zubehör

- **Kombirost**  
Für Kochgeschirr, Kuchenformen, Braten.

- **Backblech**  
Für Kuchen und Plätzchen.

## VOR DER ERSTEN INBETRIEBNAHME



**WARNUNG!** Siehe Kapitel Sicherheitshinweise.

### Erste Reinigung

Nehmen Sie die Zubehörteile und die herausnehmbaren Einhängegitter aus dem Backofen.



Siehe Kapitel „Reinigung und Pflege“.

Reinigen Sie den Backofen und die Zubehörteile vor der ersten Inbetriebnahme.

Setzen Sie das Zubehör und die herausnehmbaren Einhängegitter wieder in ihrer ursprünglichen Position ein.

### Vorheizen





Heizen Sie den leeren Backofen vor der ersten Inbetriebnahme vor.



## TÄGLICHER GEBRAUCH




**WARNUNG!** Siehe Kapitel Sicherheitshinweise.

### Ofenfunktionen

Ofenfunktion		Anwendung
	Stellung Aus	Der Backofen ist ausgeschaltet.
	Unterhitze	Zum Backen von Kuchen mit knusprigen Böden und zum Einkochen von Lebensmitteln.
	Grillstufe 2	Zum Grillen flacher Lebensmittel in größeren Mengen und zum Toasten von Brot.
	Ober-/Unterhitze (Ober-/Unterhitze)	Zum Backen und Braten auf einer Ebene.

1. Stellen Sie die Funktion  ein. Stellen Sie die Höchsttemperatur ein.
2. Lassen Sie den Backofen 1 Stunde lang eingeschaltet.
3. Stellen Sie die Funktion  ein. Stellen Sie die Höchsttemperatur ein.
4. Lassen Sie den Backofen 15 Minuten lang eingeschaltet.
5. Schalten Sie den Backofen aus und lassen Sie ihn abkühlen.

Das Zubehör kann heißer werden als bei normalem Gebrauch. Der Backofen kann Geruch und Rauch verströmen. Sorgen Sie für eine ausreichende Raumbelüftung.

Ofenfunktion		Anwendung
	Backen mit Ober-/Unterhitze	Diese Funktion ist entwickelt worden, um während des Garvorgangs Energie zu sparen. Die Kochanleitungen finden Sie im Kapitel "Hinweise und Tipps", Backen mit Ober-/Unterhitze. Die Backofentür sollte während des Garvorgangs geschlossen bleiben, damit die Funktion nicht unterbrochen wird. So wird gewährleistet, dass der Backofen mit der höchsten Energieeffizienz arbeitet. Wenn Sie diese Funktion nutzen, kann die Temperatur im Garraum von der eingestellten Temperatur abweichen. Die Heizleistung kann reduziert werden. Die allgemeinen Energiesparempfehlungen finden Sie im Kapitel „Energieeffizienz“, unter Energiesparen. Diese Funktion wurde verwendet, um die Energieeffizienzklasse gemäß EN 60350-1 zu erfüllen. Wenn Sie diese Funktion verwenden, schaltet sich die Backofenbeleuchtung automatisch aus.

## Einstellen einer Ofenfunktion

1. Drehen Sie den Backofen-Einstellknopf auf eine Ofenfunktion.
2. Drehen Sie den Wahlknopf, um die Temperatur auszuwählen.

Die Lampe leuchtet, während der Ofen in Betrieb ist.

3. Um den Backofen auszuschalten, drehen Sie den Backofen-Einstellknopf in die Position Aus.

## VERWENDUNG DES ZUBEHÖRS

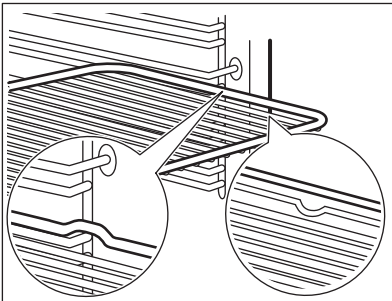


**WARNUNG!** Siehe Kapitel Sicherheitshinweise.

### Einsetzen des Zubehörs

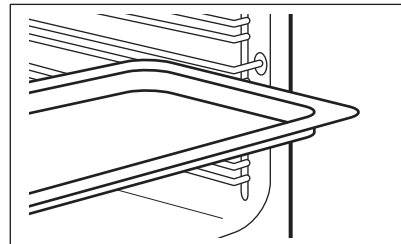
Kombirost:

Schieben Sie den Kombirost zwischen die Führungsschienen der Einhängegitter, mit den Füßen nach unten zeigend.



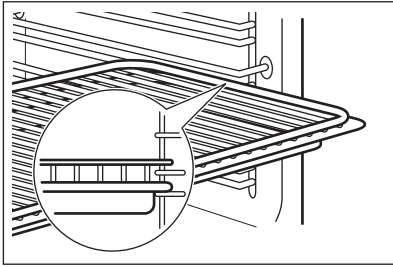
Backblech:

Schieben Sie das Backblech zwischen die Führungsschienen der Einhängegitter.



Kombirost und Backblechzusammen:

Schieben Sie das Backblech zwischen die Führungsschienen der Einhängegitter und den Kombirost in die Führungsschienen darüber.



Die kleine Einkerbung auf der Oberseite erhöht die Sicherheit. Diese Einkerbungen dienen auch als Kippsicherung. Durch den umlaufend erhöhten Rand des Rosts ist das Kochgeschirr gegen Abrutschen vom Rost gesichert.

## ZUSATZFUNKTIONEN

### Kühlgebläse

Wenn der Backofen in Betrieb ist, wird das Kühlgebläse automatisch eingeschaltet, um die Ofenoberflächen zu kühlen. Nach dem Abschalten des Backofens kann das Kühlgebläse weiterlaufen, bis der Ofen abgekühlt ist.

### Sicherheitsthermostat

Ein unsachgemäßer Gebrauch des Ofens oder defekte Bestandteile können zu einer

gefährlichen Überhitzung führen. Um dies zu verhindern, ist der Backofen mit einem Sicherheitsthermostat ausgestattet, der die Stromzufuhr unterbrechen kann. Die Wiedereinschaltung des Backofens erfolgt automatisch bei Temperaturabfall.

## TIPPS UND HINWEISE



**WARNUNG!** Siehe Kapitel Sicherheitshinweise.



Die Temperaturen und Backzeiten in den Tabellen sind nur Richtwerte. Sie sind abhängig von den Rezepten, der Qualität und der Menge der verwendeten Zutaten.

### Garempfehlungen

Der Backofen hat vier Einschubebenen.

Die Ebenen werden vom Boden des Backofens aus gezählt.

Ihr Backofen backt oder brät unter Umständen anders als Ihr früherer Backofen. Die nachstehenden Tabellen enthalten die standardmäßigen Temperatureinstellungen, die Gardauer und die Einschubebene.

Finden Sie für ein bestimmtes Rezept keine konkreten Angaben, orientieren Sie sich an einem ähnlichem Rezept.

### Backen von Kuchen

Öffnen Sie die Backofentür nicht vor Ablauf von 3/4 der Backzeit.

Wenn Sie zwei Backbleche gleichzeitig nutzen, lassen Sie eine Ebene dazwischen frei.

### Garen von Fleisch und Fisch

Lassen Sie das Fleisch vor dem Anschneiden etwa 15 Minuten ruhen, damit der Fleischsaft nicht ausläuft.

Um die Rauchbildung im Backofen beim Braten zu vermindern, geben Sie etwas Wasser in die Brat- und Fettpfanne. Um die Kondensierung des Rauchs zu vermeiden, geben Sie jedes Mal, wenn das Wasser verdampft ist, erneut Wasser in die Brat- und Fettpfanne.

## Garzeiten

Die Garzeiten hängen von der Art des Garguts, seiner Konsistenz und der Menge ab.

Beobachten Sie den Garfortschritt am Anfang. Finden Sie heraus, welche

Geräteeinstellungen (Garstufe, Gardauer, usw.) für Ihr Kochgeschirr, Ihre Rezepte und die von Ihnen zubereiteten Garmengen bei der Nutzung dieses Geräts am besten geeignet sind.

## Back- und Brattabelle

### Kuchen

Speise	Ober-/Unterhitze		Dauer (Min.)	Bemerkungen
	Temperatur (°C)	Einschubebene		
Rührteig	170	2	45 - 60	In einer Kuchenform
Mürbeteig	170	2	24 - 34	In einer Kuchenform
Buttermilch-Käsekuchen	170	1	60 - 80	In einer Kuchenform (26 cm)
Apfelkuchen	170	1	100 - 120	2 Kuchenformen (20 cm) auf dem Kombirost
Strudel/Stollen	175	2	60 - 80	Auf dem Backblech
Marmeladenkuchen	170	2	30 - 40	In einer Kuchenform (26 cm)
Früchtekuchen	170	2	60 - 70	In einer Kuchenform (26 cm)
Biskuit (Biskuit ohne Butter)	170	2	35 - 45	In einer Kuchenform (26 cm)
Stollen/Üppiger Früchtekuchen	170	2	50 - 60	In einer Kuchenform (20 cm)
Rosinenkuchen <sup>1)</sup>	170	2	50 - 60	In einer Brotform
Kleine Kuchen	170	3	20 - 30	Auf dem Backblech

Speise	Ober-/Unterhitze		Dauer (Min.)	Bemerkungen
	Temperatur (°C)	Einschubebene		
Gebäck <sup>1)</sup>	150	3	20 - 30	Auf dem Backblech
Baiser	100	3	90 - 120	Auf dem Backblech
Rosinenbrötchen <sup>1)</sup>	190	3	15 - 20	Auf dem Backblech
Brandteig <sup>1)</sup>	190	3	25 - 35	Auf dem Backblech
Törtchen	180	3	45 - 70	In einer Kuchenform (20 cm)
Englischer Sandwichkuchen à la Victoria	180	1 oder 2	40 - 55	Links + rechts, Kuchenform, 20 cm

<sup>1)</sup> Backofen 10 Min. vorheizen.

## Brot und Pizza

Speise	Ober-/Unterhitze		Dauer (Min.)	Bemerkungen
	Temperatur (°C)	Einschubebene		
Weißbrot <sup>1)</sup>	190	1	60 - 70	1 - 2 Stück, 500 g pro Stück
Roggenbrot	190	1	30 - 45	In einer Brotform
Brötchen <sup>1)</sup>	190	2	25 - 40	6 - 8 Brötchen auf einem Backblech
Pizza <sup>1)</sup>	190	1	20 - 30	Auf einem tiefen Blech
Scones <sup>1)</sup>	200	3	10 - 20	Auf dem Backblech

<sup>1)</sup> Backofen 10 Min. vorheizen.

## Ofengerichte

Speise	Ober-/Unterhitze		Dauer (Min.)	Bemerkungen
	Temperatur (°C)	Einschubebene		
Nudelauflauf	180	2	40 - 50	In einer Auflaufform
Gemüseauflauf	200	2	45 - 60	In einer Auflaufform
Quiche	190	1	40 - 50	In einer Auflaufform
Lasagne	200	2	25 - 40	In einer Auflaufform
Cannelloni	200	2	25 - 40	In einer Auflaufform
Yorkshirepudding <sup>1)</sup>	220	2	20 - 30	6 Puddingformen

<sup>1)</sup> Backofen 10 Min. vorheizen.

## Fleisch

Speise	Ober-/Unterhitze		Dauer (Min.)	Bemerkungen
	Temperatur (°C)	Einschubebene		
Rindfleisch	200	2	50 - 70	Kombirost und tiefes Blech
Schweinefleisch	180	2	90 - 120	Kombirost und tiefes Blech
Kalb	190	2	90 - 120	Kombirost und tiefes Blech
Roastbeef, englisch	210	2	44 - 50	Kombirost und tiefes Blech
Roastbeef, medium	210	2	51 - 55	Kombirost und tiefes Blech
Roastbeef, durch	210	2	55 - 60	Kombirost und tiefes Blech
Schweineschulter	180	2	120 - 150	Auf einem tiefen Blech
Schweinshaxe	180	2	100 - 120	2 Stück auf einem tiefen Blech

Speise	Ober-/Unterhitze		Dauer (Min.)	Bemerkungen
	Temperatur (°C)	Einschubebene		
Lamm	190	2	110 - 130	Keule
Hähnchen	200	2	70 - 85	Ganz auf einem tiefen Blech
Pute	180	1	210 - 240	Ganz auf einem tiefen Blech
Ente	175	2	120 - 150	Ganz auf einem tiefen Blech
Gans	175	1	150 - 200	Ganz auf einem tiefen Blech
Hasenbraten	190	2	60 - 80	Zerlegt
Hase	190	2	150 - 200	Zerlegt
Fasan	190	2	90 - 120	Ganz auf einem tiefen Blech

### Fisch

Speise	Ober-/Unterhitze		Dauer (Min.)	Bemerkungen
	Temperatur (°C)	Einschubebene		
Forelle/ Seebrasse	190	2	40 - 55	3 - 4 Fische
Thunfisch/ Lachs	190	2	35 - 60	4 - 6 Filets

### Grillstufe

Stellen Sie die Temperatur auf 250 °C ein.

Backofen 10 Min. vorheizen.

Nutzen Sie die dritte Einschubebene.

Speise	Menge		Dauer (Min.)	
	Stück	Menge (kg)	1. Seite	2. Seite
Filetsteaks	4	0.8	12 - 15	12 - 14



Speise	Menge		Dauer (Min.)	
	Stück	Menge (kg)	1. Seite	2. Seite
Beefsteaks	4	0.6	10 - 12	6 - 8
Würste	8	-	12 - 15	10 - 12
Schweinskotelett	4	0.6	12 - 16	12 - 14
Hähnchen, 2 halbe	2	1	30 - 35	25 - 30
Spieße	4	-	10 - 15	10 - 12
Hähnchenbrustfilet	4	0.4	12 - 15	12 - 14
Hamburger	6	0.6	20 - 30	-
Fischfilet	4	0.4	12 - 14	10 - 12
Belegte Toastbrote	4 - 6	-	5 - 7	-
Toast	4 - 6	-	2 - 4	2 - 3

## Backen mit Ober-/Unterhitze



Beachten Sie für beste Ergebnisse die unten in der Tabelle aufgeführten Empfehlungen.

Speise	Zubehör	Temperatur (°C)	Ein-schub-ebene	Dauer (Min.)
Süße Brötchen, 12 Stück	Backblech oder tiefes Blech	180	2	35 - 40
Brötchen, 9 Stück	Backblech oder tiefes Blech	180	2	35 - 40
Pizza, gefroren, 0,35 kg	Kombirost	220	2	35 - 40
Biskuitrolle	Backblech oder tiefes Blech	170	2	30 - 40
Brownie	Backblech oder tiefes Blech	180	2	30 - 40
Soufflè, 6 Stück	Keramikförmchen auf Kombirost	200	3	30 - 40
Biskuitboden	Biskuitform auf Kombirost	170	2	20 - 30

Speise	Zubehör	Temperatur (°C)	Ein-schub-ebene	Dauer (Min.)
Englischer Rührkuchen	Backform auf Kombirost	170	2	35 - 45
Fisch, gedämpft, 0,3 kg	Backblech oder tiefes Blech	180	3	35 - 45
Fisch, 0,2 kg	Backblech oder tiefes Blech	180	3	35 - 45
Fischfilet 0,3 kg	Pizzapfanne auf Kombirost	180	3	35 - 45
Fleisch, pochiert, 0,25 kg	Backblech oder tiefes Blech	200	3	40 - 50
Schaschlik, 0,5 kg	Backblech oder tiefes Blech	200	3	25 - 35
Plätzchen, 16 Stück	Backblech oder tiefes Blech	180	2	20 - 30
Makronen, 20 Stück	Backblech oder tiefes Blech	180	2	40 - 45
Muffins, 12 Stück	Backblech oder tiefes Blech	170	2	30 - 40
Gebäck, pikant, 16 Stück	Backblech oder tiefes Blech	170	2	35 - 45
Mürbeteiggebäck, 20 Stück	Backblech oder tiefes Blech	150	2	40 - 50
Törtchen, 8 Stück	Backblech oder tiefes Blech	170	2	20 - 30
Gemüse, gedämpft, 0,4 kg	Backblech oder tiefes Blech	180	3	35 - 40
Vegetarisches Omelett	Pizzapfanne auf Kombirost	200	3	30 - 45
Gemüse, mediterran, 0,7 kg	Backblech oder tiefes Blech	180	4	35 - 40

## Informationen für Prüfinstitute

Tests gemäß IEC 60350-1.

Speise	Funktion	Zubehör	Einschubebene	Temperatur (°C)	Dauer (Min.)	Bemerkungen
Kleiner Kuchen	Ober-/ Unterhitze	Backblech	3	170	20 - 30	20 kleine Kuchen auf ein Backblech legen.
Apfelkuchen	Ober-/ Unterhitze	Kombi-rost	1	170	80 - 120	2 Formen (20 cm Durchmesser) diagonal versetzt verwenden.
Biskuitkuchen	Ober-/ Unterhitze	Kombi-rost	2	170	35 - 45	Kuchenform verwenden (26 cm Durchmesser)
Mürbe- teiggebäck	Ober-/ Unterhitze	Backblech	3	150	20 - 35	Backofen 10 Min. vorheizen.
Toast 4 - 6 Stück	Grillstufe	Kombi-rost	3	Max.	2-4 Minuten auf der ersten Seite, 2-3 Minuten auf der zweiten Seite	Backofen 3 Min. vorheizen.
Hamburger aus Rindfleisch 6 Stück, 0,6 kg	Grillstufe	Kombi-rost und Fettpfanne	3	Max.	20 - 30	Kombi-rost in die dritte und Fettpfanne in die zweite Einschubebene des Backofens einschieben. Nach der Hälfte der Gardauer die Speise wenden. Backofen 3 Min. vorheizen.

## REINIGUNG UND PFLEGE



**WARNUNG!** Siehe Kapitel Sicherheitshinweise.

### Hinweise zur Reinigung

Feuchten Sie ein weiches Tuch mit warmem Wasser und einem milden Reinigungsmittel an, und reinigen Sie damit die Vorderseite des Ofens.

Reinigen Sie die Metalloberflächen mit einem speziellen Reinigungsmittel.

Reinigen Sie den Innenraum des Backofens nach jedem Gebrauch. Fettansammlungen und Speisereste könnten einen Brand verursachen.

Reinigen Sie alle Zubehörteile nach jedem Gebrauch und lassen Sie sie trocknen. Feuchten Sie ein weiches Tuch mit warmem Wasser und etwas Reinigungsmittel an. Reinigen Sie die Zubehörteile nicht im Geschirrspüler.

Entfernen Sie hartnäckige Verschmutzungen mit einem speziellen Backofenreiniger.

Zubehörteile mit Antihafbeschichtung dürfen nicht mit aggressiven Reinigungsmitteln, scharfkantigen Gegenständen oder im Geschirrspüler gereinigt werden. Andernfalls kann die Antihafbeschichtung beschädigt werden.

Es kann sich Feuchtigkeit im Ofen oder an den Glastüren niederschlagen. Um die Kondensation zu reduzieren, schalten Sie den Ofen 10 Minuten vor dem Garen ein. Wischen Sie die Feuchtigkeit im Garraum nach jedem Gebrauch ab.

## Öfen mit Edelstahl- oder Aluminiumfront

Reinigen Sie die Backofentür nur mit einem feuchten Tuch oder Schwamm. Trocknen Sie sie mit einem weichen Tuch ab.

Verwenden Sie keine Stahlwolle, Säuren oder Scheuermittel, da diese die Oberflächen beschädigen können. Reinigen Sie das Bedienfeld auf gleiche Weise.

## Reinigen der Türdichtung

Die Türdichtung muss regelmäßig überprüft werden. Die Türdichtung ist im Rahmen des Garraums angebracht. Nehmen Sie den Ofen nicht in Betrieb, wenn die Türdichtung beschädigt ist. Wenden Sie sich an den autorisierten Kundendienst.

Lesen Sie in den allgemeinen Informationen zur Reinigung nach, was bei der Reinigung der Türdichtung beachtet werden muss.

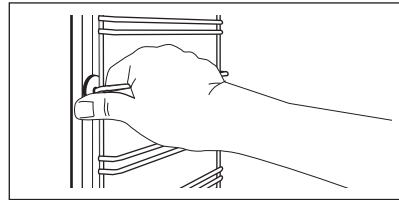
## Entfernen der Einhängegitter

Nehmen Sie die Einhängegitter.

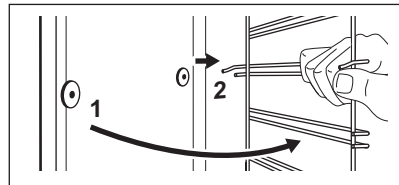


**VORSICHT!** Vorsicht beim Herausnehmen der Einhängegitter.

1. Ziehen Sie das Einhängegitter vorne von der Seitenwand weg.



2. Ziehen Sie das Einhängegitter hinten von der Seitenwand weg und nehmen Sie es heraus.



Führen Sie zum Einsetzen der entfernten Zubehörteile die oben beschriebenen Schritte in umgekehrter Reihenfolge durch.

## Aus- und Einbauen der Tür

Die Backofentür ist mit zwei Glasscheiben ausgestattet. Die Backofentür und die innere Glasscheibe können zur Reinigung ausgebaut werden. Lesen Sie die gesamte Anleitung "Aus- und Einbauen der Tür", bevor Sie die Glasscheiben entfernen.

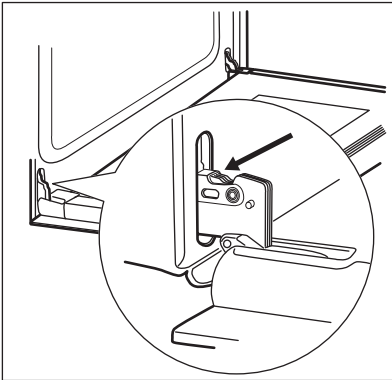


Die Backofentür kann sich schließen, wenn Sie versuchen, die innere Glasscheibe zu entfernen, bevor Sie die Backofentür abnehmen.

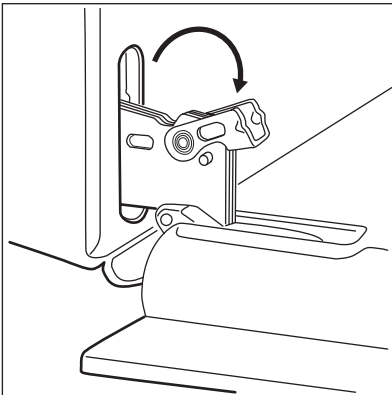


**VORSICHT!** Benutzen Sie den Backofen nicht ohne die innere Glasscheibe.

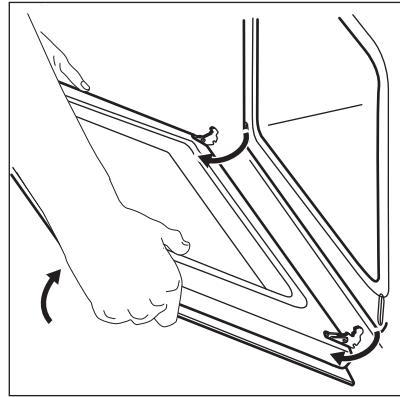
1. Öffnen Sie die Tür vollständig und fassen Sie beide Scharniere an.



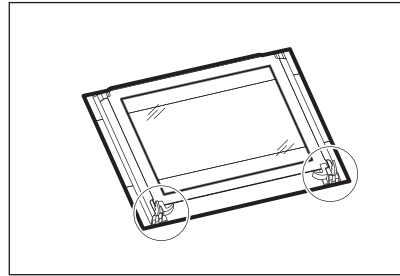
2. Heben und drehen Sie die Hebel ganz, an beiden Scharnieren.



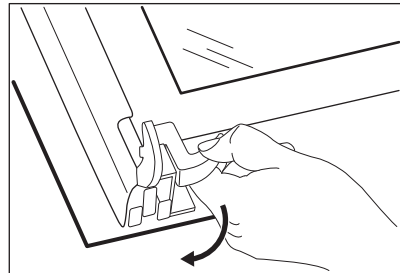
3. Schließen Sie die Backofentür halb bis zur ersten Raststellung. Anschließend heben und ziehen Sie sie die Tür nach vorn aus der Aufnahme heraus.



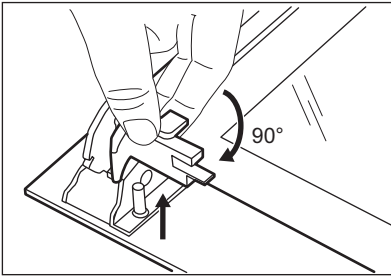
4. Legen Sie die Backofentür auf ein weiches Tuch auf einer stabilen Fläche.



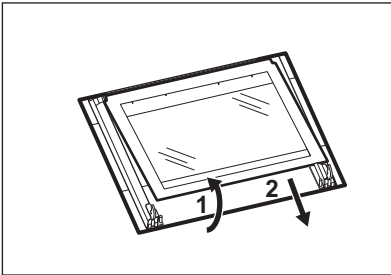
5. Lösen Sie das Verriegelungssystem, um die innere Glasscheibe zu entfernen.



6. Drehen Sie die beiden Befestigungselemente um 90° und nehmen Sie sie aus der Halterung.



7. Heben Sie die Glasscheibe vorsichtig an und entfernen Sie sie.

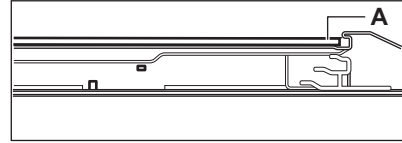


8. Reinigen Sie die Glasscheiben mit Wasser und Spülmittel. Trocknen Sie die Glasscheiben sorgfältig ab. Reinigen Sie die Glasscheiben nicht im Geschirrspüler.

Wenn die Reinigung abgeschlossen ist, bauen Sie die Glasscheibe und anschließend die Backofentür ein.

Bei korrektem Einbau macht die Türabdeckung ein Klickgeräusch.

Achten Sie darauf, die innere Glasscheibe richtig in die Aufnahmen einzusetzen.



## Austauschen der Lampe



### WARNUNG!

Stromschlaggefahr.  
Die Lampe kann heiß sein.

1. Schalten Sie den Backofen aus. Warten Sie, bis der Backofen abgekühlt ist.
2. Trennen Sie den Ofen von der Netzversorgung.
3. Breiten Sie ein Tuch auf dem Garraumboden aus.

## Rückwandlampe

1. Drehen Sie die Glasabdeckung der Lampe, und nehmen Sie sie ab.
2. Reinigen Sie die Glasabdeckung.
3. Ersetzen Sie die Lampe durch eine geeignete, bis 300 °C hitzebeständige Lampe.
4. Bringen Sie die Glasabdeckung wieder an.

## FEHLERSUCHE



**WARNUNG!** Siehe Kapitel Sicherheitshinweise.

## Was tun, wenn ...

Störung	Mögliche Ursache	Abhilfe
Der Backofen heizt nicht.	Der Backofen ist ausgeschaltet.	Schalten Sie den Backofen ein.

Störung	Mögliche Ursache	Abhilfe
Der Backofen heizt nicht.	Die Sicherung ist durchgebrannt.	Vergewissern Sie sich, dass die Sicherung der Grund für die Störung ist. Brennt die Sicherung wiederholt durch, wenden Sie sich an eine zugelassene Elektrofachkraft.
Die Beleuchtung funktioniert nicht.	Die Lampe ist defekt.	Tauschen Sie die Lampe aus.
Dampf und Kondenswasser schlagen sich auf den Speisen und im Garraum nieder.	Die Speisen standen zu lange im Backofen.	Lassen Sie die Speisen nach Beendigung des Gar- oder Backvorgangs nicht länger als 15 - 20 Minuten im Backofen stehen.

## Service Daten

Wenn Sie das Problem nicht selbst lösen können, wenden Sie sich an Ihren Händler oder einen autorisierten Kundendienst.

Die vom Kundendienst benötigten Daten finden Sie auf dem Typenschild. Das

Typenschild befindet sich am Frontrahmen des Garraums. Entfernen Sie das Typenschild nicht vom Garraum.

### Wir empfehlen, hier folgende Daten zu notieren:

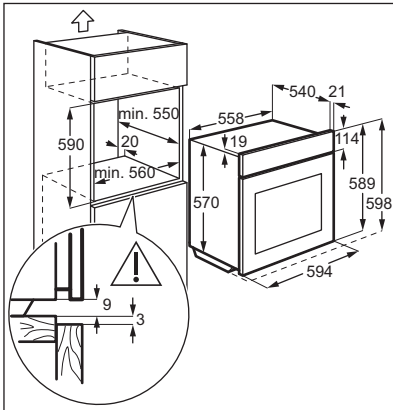
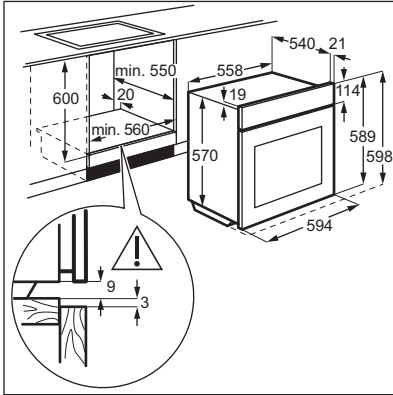
Modell (MOD.)	.....
Produktnummer (PNC)	.....
Seriennummer (S.N.)	.....

## MONTAGE

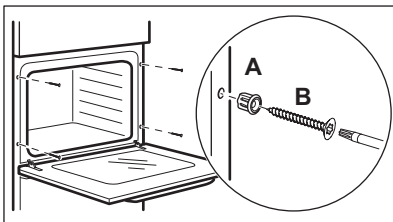


**WARNUNG!** Siehe Kapitel Sicherheitshinweise.

## Montage



## Befestigung des Geräts im Möbel



## Elektrischer Anschluss



Der Hersteller haftet nicht für Schäden, die aufgrund der Nichtbeachtung der in den Sicherheitshinweisen beschriebenen Sicherheitsvorkehrungen entstehen.

Das Gerät wird mit einem Netzstecker und Netzkabel geliefert.

## Kabel

Einsetzbare Kabeltypen für Montage oder Austausch:

H07 RN-F, H05 RN-F, H05 RRF, H05 VV-F, H05 V2V2-F (T90), H05 BB-F

Näheres zum Kabelquerschnitt siehe Gesamtleistung auf dem Typenschild.

Weitere Informationen finden Sie in der Tabelle:

Gesamtleistung (W)	Kabelquerschnitt (mm <sup>2</sup> )
maximal 1380	3 x 0.75
maximal 2300	3 x 1
maximal 3680	3 x 1.5

Die Erdleitung (gelb/grünes Kabel) muss 2 cm länger sein als die Phasenleitung und der Nullleiter (blaues und braunes Kabel).



# ENERGIEEFFIZIENZ

## Produktdatenblatt und Informationen gemäß EU 65-66/2014

Herstellername	Juno
Modellidentifikation	JB030A9
Energieeffizienzindex	95.1
Energieeffizienzklasse	A
Energieverbrauch bei Standardbeladung, Ober-/Unterhitze	0.77 kWh/Programm
Anzahl der Garräume	1
Wärmequelle	Strom
Fassungsvermögen	61 l
Backofentyp	Einbau-Backofen
Gewicht	25.3 kg

EN 60350-1 - Elektrische Kochgeräte für den Hausgebrauch - Teil 1: Herde, Backöfen, Dampfgarer und Grillgeräte - Verfahren zur Messung der Gebrauchseigenschaften

### Energie sparen



Der Backofen verfügt über Funktionen, mit deren Hilfe Sie beim täglichen Kochen Energie sparen können.

#### Allgemeine Tipps

Achten Sie darauf, dass die Backofentür während des Ofenbetriebs richtig geschlossen ist. Die Gerätetür darf während des Garvorgangs nicht zu oft geöffnet werden. Halten Sie die Türdichtung sauber und stellen Sie sicher, dass sie sich fest in der richtigen Position befindet.

Verwenden Sie Kochgeschirr aus Metall, um mehr Energie zu sparen

Heizen Sie, wenn möglich, den Backofen nicht vor, bevor Sie die Speisen hineingeben.

Beträgt die Garzeit mehr als 30 Minuten, reduzieren Sie die Ofentemperatur je nach Gardauer 3 - 10 Minuten vor Ablauf des Garvorgangs auf die Mindesttemperatur. Durch die Restwärme des Backofens werden die Speisen weiter gegart.

Nutzen Sie die Restwärme, um andere Speisen aufzuwärmen.

Halten Sie die Unterbrechungen beim Backen so kurz wie möglich, wenn Sie mehrere Backwaren gleichzeitig zubereiten.

#### Warmhalten von Speisen


Wählen Sie die niedrigste Temperatureinstellung, wenn Sie die Restwärme zum Warmhalten von Speisen nutzen möchten.


#### Backen mit Ober-/Unterhitze

Diese Funktion ist entwickelt worden, um während des Garvorgangs Energie zu sparen.

## UMWELTTIPPS

---

Recyceln Sie Materialien mit dem Symbol . Entsorgen Sie die Verpackung in den entsprechenden Recyclingbehältern. Recyceln Sie zum Umwelt- und Gesundheitsschutz elektrische und elektronische Geräte. Entsorgen Sie

Geräte mit diesem Symbol  nicht mit dem Hausmüll. Bringen Sie das Gerät zu Ihrer örtlichen Sammelstelle oder wenden Sie sich an Ihr Gemeindeamt.



