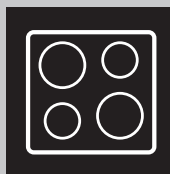


GETTING STARTED? EASY.



ZEI3921IBA

EN	User Manual Hob	2
FR	Notice d'utilisation Table de cuisson	13
DE	Benutzerinformation Kochfeld	25
IT	Istruzioni per l'uso Piano cottura	37

ZANUSSI

VISIT OUR WEBSITE TO:



Get usage advice, brochures, trouble shooter, service and repair information:
www.zanussi.com/support

SAFETY INFORMATION

Before the installation and use of the appliance, carefully read the supplied instructions. The manufacturer is not responsible for any injuries or damages that are the result of incorrect installation or usage. Always keep the instructions in a safe and accessible location for future reference.

CHILDREN AND VULNERABLE PEOPLE SAFETY

- This appliance can be used by children aged from 8 years and above and persons with reduced physical, sensory or mental capabilities or lack of experience and knowledge if they have been given supervision or instruction concerning the use of the appliance in a safe way and understand the hazards involved.
- Do not let children play with the appliance.
- Keep all packaging away from children and dispose of it appropriately.
- Keep children and pets away from the appliance when it operates or when it cools down. Accessible parts are hot.
- If the appliance has a child safety device, this should be activated.
- Children shall not carry out cleaning and user maintenance of the appliance without supervision.
- Children aged 3 years and under must be kept away from this appliance when it is in operation at all times.

GENERAL SAFETY

- **WARNING:** The appliance and its accessible parts become hot during use. Care should be taken to avoid touching heating elements. Children less than 8 years of age shall be kept away unless continuously supervised.
- Do not operate the appliance by means of an external timer or separate remote-control system.

- **WARNING:** Unattended cooking on a hob with fat or oil can be dangerous and may result in fire.
- **NEVER** try to extinguish a fire with water, but switch off the appliance and then cover flame e.g. with a lid or a fire blanket.
- **CAUTION:** The cooking process has to be supervised. A short term cooking process has to be supervised continuously.
- **WARNING:** Danger of fire: Do not store items on the cooking surfaces.
- Metallic objects such as knives, forks, spoons and lids should not be placed on the hob surface since they can get hot.
- Do not use a steam cleaner to clean the appliance.
- After use, switch off the hob element by its control and do not rely on the pan detector.
- If the glass ceramic surface / glass surface is cracked, switch off the appliance to avoid the possibility of electric shock.
- If the supply cord is damaged, it must be replaced by the manufacturer, an authorized Service or similarly qualified persons in order to avoid a hazard.
- **WARNING:** Use only hob guards designed by the manufacturer of the cooking appliance or indicated by the manufacturer of the appliance in the instructions for use as suitable or hob guards incorporated in the appliance. The use of inappropriate guards can cause accidents.

SAFETY INSTRUCTIONS

INSTALLATION



WARNING! Only a qualified person must install this appliance.



WARNING! Risk of injury or damage to the appliance.

- Remove all the packaging.
- Do not install or use a damaged appliance.
- Follow the installation instruction supplied with the appliance.
- Keep the minimum distance from the other appliances and units.
- Always take care when moving the appliance as it is heavy. Always use safety gloves and enclosed footwear.
- Seal the cut surfaces with a sealant to prevent moisture to cause swelling.
- Protect the bottom of the appliance from steam and moisture.
- Do not install the appliance adjacent to a door or under a window. This prevents hot cookware to fall from the appliance when the door or the window is opened.
- If the appliance is installed above drawers make sure that the space, between the bottom of the appliance and the upper drawer, is sufficient for air circulation.
- The bottom of the appliance can get hot. Make sure to install a non-combustible separation panel under the appliance to prevent access to the bottom.
- Make sure that the ventilation space of 2 mm, between the worktop and the front of the below

unit, is free. The warranty does not cover damages caused by the lack of an adequate ventilation space.

ELECTRICAL CONNECTION



WARNING! Risk of fire and electrical shock.

- All electrical connections should be made by a qualified electrician.
- The appliance must be earthed.
- Before carrying out any operation make sure that the appliance is disconnected from the power supply.
- Make sure that the electrical information on the rating plate agrees with the power supply. If not, contact an electrician.
- Make sure the appliance is installed correctly. Loose and incorrect electricity mains cable or plug (if applicable) can make the terminal become too hot.
- Use the correct electricity mains cable.
- Do not let the electricity mains cable tangle.
- Make sure that a shock protection is installed.
- Use the strain relief clamp on the cable.
- Make sure the mains cable or plug (if applicable) does not touch the hot appliance or hot cookware, when you connect the appliance to the near sockets
- Do not use multi-plug adapters and extension cables.
- Make sure not to cause damage to the mains plug (if applicable) or to the mains cable. Contact our Authorised Service Centre or an electrician to change a damaged mains cable.
- The shock protection of live and insulated parts must be fastened in such a way that it cannot be removed without tools.
- Connect the mains plug to the mains socket only at the end of the installation. Make sure that there is access to the mains plug after the installation.
- If the mains socket is loose, do not connect the mains plug.
- Do not pull the mains cable to disconnect the appliance. Always pull the mains plug.
- Use only correct isolation devices: line protecting cut-outs, fuses (screw type fuses removed from the holder), earth leakage trips and contactors.
- The electrical installation must have an isolation device which lets you disconnect the appliance from the mains at all poles. The isolation device must have a contact opening width of minimum 3 mm.

USE



WARNING! Risk of injury, burns and electrical shock.

- Remove all the packaging, labelling and protective film (if applicable) before first use.
- Use this appliance in a household environment.
- Do not change the specification of this appliance.
- Make sure that the ventilation openings are not blocked.
- Do not let the appliance stay unattended during operation.
- Set the cooking zone to "off" after each use.
- Do not rely on the pan detector.
- Do not put cutlery or saucepan lids on the cooking zones. They can become hot.
- Do not operate the appliance with wet hands or when it has contact with water.
- Do not use the appliance as a work surface or as a storage surface.
- If the surface of the appliance is cracked, disconnect immediately the appliance from the power supply. This to prevent an electrical shock.
- Users with a pacemaker must keep a distance of minimum 30 cm from the induction cooking zones when the appliance is in operation.
- When you place food into hot oil, it may splash.



WARNING! Risk of fire and explosion

- Fats and oil when heated can release flammable vapours. Keep flames or heated objects away from fats and oils when you cook with them.
- The vapours that very hot oil releases can cause spontaneous combustion.
- Used oil, that can contain food remnants, can cause fire at a lower temperature than oil used for the first time.
- Do not put flammable products or items that are wet with flammable products in, near or on the appliance.



WARNING! Risk of damage to the appliance.

- Do not keep hot cookware on the control panel.
- Do not put a hot pan cover on the glass surface of the hob.
- Do not let cookware to boil dry.
- Be careful not to let objects or cookware fall on the appliance. The surface can be damaged.
- Do not activate the cooking zones with empty cookware or without cookware.
- Do not put aluminium foil on the appliance.

- Cookware made of cast iron, aluminium or with a damaged bottom can cause scratches on the glass / glass ceramic. Always lift these objects up when you have to move them on the cooking surface.
- This appliance is for cooking purposes only. It must not be used for other purposes, for example room heating.

CARE AND CLEANING



WARNING! Do not remove the buttons, knobs or gaskets from the control panel. Water may get inside the appliance and cause damage.

- Clean regularly the appliance to prevent the deterioration of the surface material.
- Deactivate the appliance and let it cool down before you clean it.
- Disconnect the appliance from the electrical supply before maintenance.
- Do not use water spray and steam to clean the appliance.
- Clean the appliance with a moist soft cloth. Only use neutral detergents. Do not use any abrasive products, abrasive cleaning pads, solvents or metal objects.

INSTALLATION



WARNING! Refer to Safety chapters.

BEFORE THE INSTALLATION

Before you install the hob, write down the information below from the rating plate. The rating plate is on the bottom of the hob.

Model
 PNC
 Serial number

BUILT-IN HOBS

Only use the built-in hobs after you assemble the hob into correct built-in units and work surfaces that align to the standards.

CONNECTION CABLE

- The hob is supplied with a connection cable.
- To replace the damaged mains cable use the following (or higher) mains cable type:

SERVICE

- To repair the appliance contact the Authorised Service Centre. Use original spare parts only.
- Concerning the lamp(s) inside this product and spare part lamps sold separately: These lamps are intended to withstand extreme physical conditions in household appliances, such as temperature, vibration, humidity, or are intended to signal information about the operational status of the appliance. They are not intended to be used in other applications and are not suitable for household room illumination.

DISPOSAL

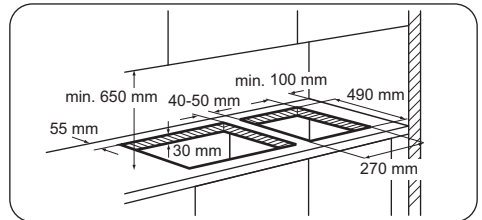


WARNING! Risk of injury or suffocation.

- Contact your municipal authority for information on how to discard the appliance correctly.
- Disconnect the appliance from the mains supply.
- Cut off the mains electrical cable close to the appliance and dispose of it.

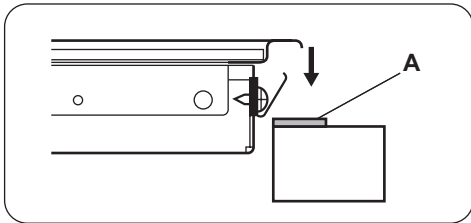
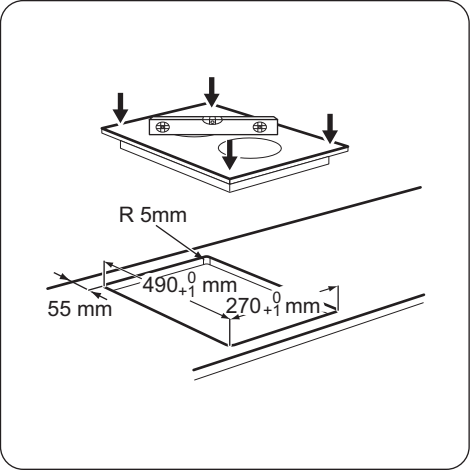
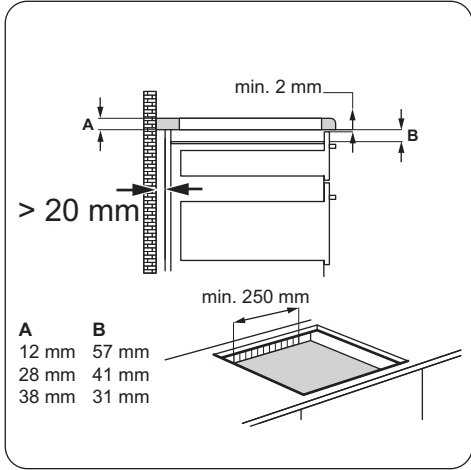
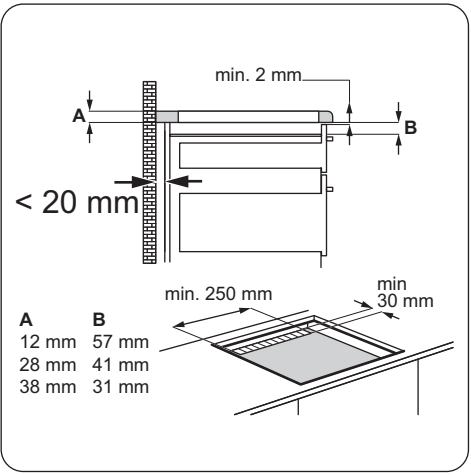
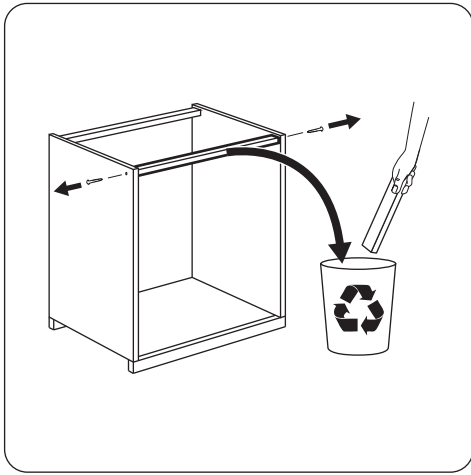
H05V2V2-F T min 90°C. Speak to your local Service Centre.

INSTALLATION OF MORE THAN ONE HOB

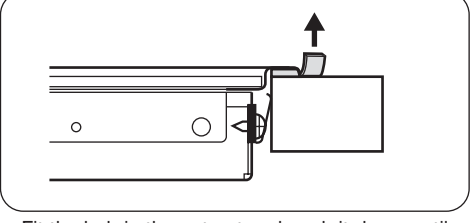


If several 30 cm hobs are to be installed side by side into the same cut out, an assembly kit including a support side bracket and supplementary seals is available at our Authorised Service Centres. The relevant installation instructions are supplied within the kit package.

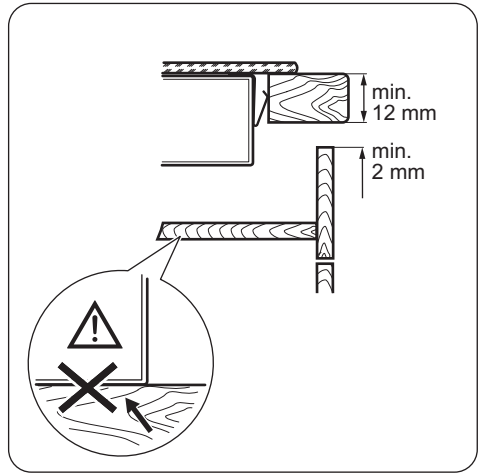
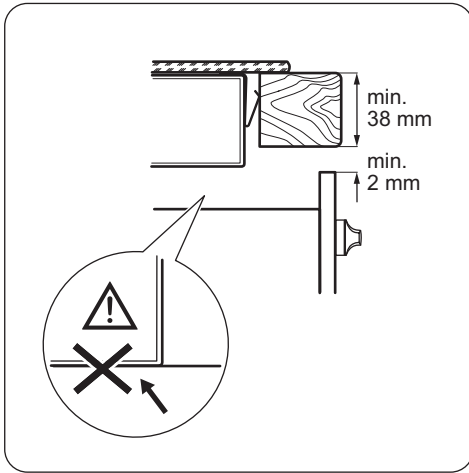
ASSEMBLY



Place the sealing gasket A all around the edge of the cut out.

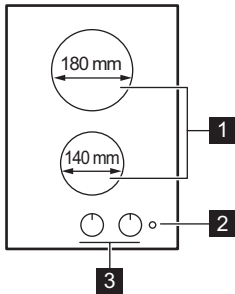


Fit the hob in the cut out and push it down until comes in contact with the kitchen top surface. then remove the excess sealing.



PRODUCT DESCRIPTION

COOKING SURFACE LAYOUT



- 1 Induction cooking zone
- 2 Power indicator
- 3 Control knobs

CONTROL KNOB

Symbol	Function
0	Off position
1 - 9	Heat settings

RESIDUAL HEAT



WARNING! There is a risk of burns from residual heat.

The induction cooking zones make the heat necessary for cooking process directly in the bottom of the cookware. The glass ceramic is heated by the heat of the cookware.

DAILY USE



WARNING! Refer to Safety chapters.

THE HEAT SETTING

To set or change the heat setting turn the knob to the correct heat setting. To deactivate turn the knob to off position.

HINTS AND TIPS



WARNING! Refer to Safety chapters.

COOKWARE



For induction cooking zones a strong electro-magnetic field creates the heat in the cookware very quickly.



Use the induction cooking zones with correct cookware.

Cookware material

- **correct:** cast iron, steel, enamelled steel, stainless steel, the bottom made of multi-layer (with correct mark from a manufacturer).
- **not correct:** aluminium, copper, brass, glass, ceramic, porcelain.

Cookware is correct for an induction hob if:

- some water boils very quickly on a zone set to the highest heat setting.
- a magnet pulls on to the bottom of the cookware.



The bottom of the cookware must be as thick and flat as possible.

Cookware dimensions

Induction cooking zones adapt to the dimension of the bottom of the cookware automatically to some limit.

The cooking zone efficiency is related to the diameter of the cookware. The cookware with a

Power indicator activates when one or more cooking zones are activated. When you deactivate the cooking zones the indicator deactivates.

smaller diameter than the minimum receives only a part of the power generated by the cooking zone.



Refer to "Technical information" chapter.

THE NOISES DURING OPERATION

If you can hear:

- crack noise: cookware is made of different materials (sandwich construction).
- whistle sound: you use the cooking zone with high power level and the cookware is made of different materials (sandwich construction).
- humming: you use high power level.
- clicking: electric switching occurs.
- hissing, buzzing: the fan operates.

The noises are normal and do not refer to hob malfunction.

EXAMPLES OF COOKING APPLICATIONS

The relation between the heat setting and the cooking zone consumption of power is not linear. When you increase the heat setting, it is not proportional to the increase of the cooking zone consumption of power. It means that the cooking zone with the medium heat setting uses less than a half of its power.



The data in the table is for guidance only.

Heat setting	Use to:	Time (min)	Hints
1	Keep cooked food warm.	as necessary	Put a lid on the cookware.
1 - 2	Hollandaise sauce, melt: butter, chocolate, gelatine.	5 - 25	Mix from time to time.
1 - 2	Solidify: fluffy omelettes, baked eggs.	10 - 40	Cook with a lid on.

Heat setting	Use to:	Time (min)	Hints
2 - 3	Simmer rice and milkbased dishes, heating up ready-cooked meals.	25 - 50	Add the minimum twice as much liquid as rice, mix milk dishes part procedure through.
3 - 4	Steam vegetables, fish, meat.	20 - 45	Add some tablespoons of liquid.
4 - 5	Steam potatoes.	20 - 60	Use max. ¼ l water for 750 g of potatoes.
4 - 5	Cook larger quantities of food, stews and soups.	60 - 150	Up to 3 l liquid plus ingredients.
6 - 7	Gentle fry: escalope, veal cordon bleu, cutlets, rissoles, sausages, liver, roux, eggs, pancakes, doughnuts.	as necessary	Turn halfway through.
7 - 8	Heavy fry, hash browns, loin steaks, steaks.	5 - 15	Turn halfway through.
9	Boil water, cook pasta, sear meat (goulash, pot roast), deep-fry chips.		

CARE AND CLEANING



WARNING! Refer to Safety chapters.

GENERAL INFORMATION

- Clean the hob after each use.
- Always use cookware with clean bottom.
- Scratches or dark stains on the surface have no effect on how the hob operates.
- Use a special cleaner applicable for the surface of the hob.
- Use a special scraper for the glass.

CLEANING THE HOB

- **Remove immediately:** melted plastic, plastic foil, sugar and food with sugar. If not, the dirt

can cause damage to the hob. Take care to avoid burns. Put the special scraper on the glass surface at an acute angle and move the blade on the surface.

- **Remove when the hob is sufficiently cool:** limescale rings, water rings, fat stains, shiny metallic discoloration. Clean the hob with a moist cloth and non-abrasive detergent. After cleaning, wipe the hob dry with a soft cloth.
- **Remove shiny metallic discoloration:** use a solution of water with vinegar and clean the glass surface with a moist cloth.

TROUBLESHOOTING



WARNING! Refer to Safety chapters.

WHAT TO DO IF...

Problem	Possible cause	Remedy
You cannot activate or operate the hob.	The hob is not connected to an electrical supply or it is connected incorrectly.	Check if the hob is correctly connected to the electrical supply. Refer to the connection diagram.
	The fuse is blown.	Make sure that the fuse is the cause of the malfunction. If the fuse is blown again and again, contact a qualified electrician.

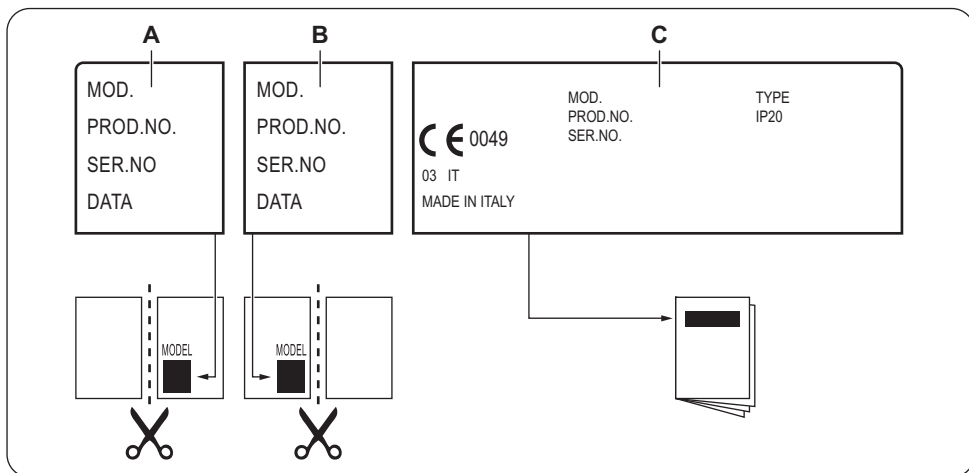
IF YOU CANNOT FIND A SOLUTION...

If you cannot find a solution to the problem yourself, contact your dealer or an Authorised Service Centre. Give the data from the rating plate. Give also three digit letter code for the glass ceramic (it is in the corner of the glass surface). Make sure, you operated the hob correctly. If not the servicing by a service technician or dealer will not be free of

charge, also during the warranty period. The instructions about the Service Centre and conditions of guarantee are in the guarantee booklet.

LABELS SUPPLIED WITH THE ACCESSORIES BAG

Stick the adhesive labels as indicated below:



- A.** Stick it on Guarantee Card and send this part (if applicable).
- B.** Stick it on Guarantee Card and keep this part (if applicable).

- C.** Stick it on instruction booklet.

TECHNICAL DATA

COOKING ZONES SPECIFICATION

Cooking zone	Nominal power (maximum heat setting) [W]	Power function [W]	Power function maximum duration [min]	Cookware diameter [mm]
Middle front	1400	-	-	125 - 140
Middle rear	1800	-	-	145 - 180

The power of the cooking zones can be different in some small range from the data in the table. It changes with the material and dimensions of the cookware.

For optimal cooking results use cookware not larger than the diameter in the table.

ENERGY EFFICIENCY

PRODUCT INFORMATION ACCORDING TO EU 66/2014

Model identification		ZEI3921IBA
Type of hob		Built-In Hob
Number of cooking zones		2
Heating technology		Induction
Diameter of circular cooking zones (Ø)	Middle front Middle rear	14.0 cm 18.0 cm
Energy consumption per cooking zone (EC electric cooking)	Middle front Middle rear	188.8 Wh / kg 183.0 Wh / kg
Energy consumption of the hob (EC electric hob)		185.9 Wh / kg

EN 60350-2 - Household electric cooking appliances - Part 2: Hobs - Methods for measuring performance


ENERGY SAVING

You can save energy during everyday cooking if you follow below hints.


- When you heat up water, use only the amount you need.
- If it is possible, always put the lids on the cookware.

- Before you activate the cooking zone put the cookware on it.
- Put the smaller cookware on the smaller cooking zones.
- Put the cookware directly in the centre of the cooking zone.
- Use the residual heat to keep the food warm or to melt it.

ENVIRONMENTAL CONCERNS

Recycle materials with the symbol . Put the packaging in relevant containers to recycle it. Help

protect the environment and human health by recycling waste of electrical and electronic

appliances. Do not dispose of appliances marked with the symbol  with the household waste.

Return the product to your local recycling facility or contact your municipal office.

VISITEZ NOTRE SITE WEB POUR :



Obtenir des conseils d'utilisation, des brochures, un dépanneur, des informations sur le service et les réparations :

www.zanussi.com/support

INFORMATIONS DE SÉCURITÉ

Avant d'installer et d'utiliser cet appareil, lisez soigneusement les instructions fournies. Le fabricant ne pourra être tenu pour responsable des blessures et dégâts résultant d'une mauvaise installation ou utilisation. Conservez toujours les instructions dans un lieu sûr et accessible pour vous y référer ultérieurement.

SÉCURITÉ DES ENFANTS ET DES PERSONNES VULNÉRABLES

- Cet appareil peut être utilisé par des enfants de plus de 8 ans, ainsi que des personnes dont les capacités physiques, sensorielles et mentales sont réduites ou dont les connaissances et l'expérience sont insuffisantes, à condition d'être surveillés ou d'avoir reçu des instructions concernant l'utilisation sécurisée de l'appareil et de comprendre les risques encourus.
- Ne laissez pas les enfants jouer avec l'appareil.
- Ne laissez pas les emballages à la portée des enfants et jetez-les convenablement.
- Tenez les enfants et les animaux éloignés de l'appareil lorsqu'il est en cours de fonctionnement ou lorsqu'il refroidit. Les parties accessibles sont chaudes.
- Si l'appareil est équipé d'un dispositif de sécurité enfants, nous vous recommandons de l'activer.
- Les enfants ne doivent pas nettoyer ni entreprendre une opération de maintenance sur l'appareil sans surveillance.
- Les enfants de moins de 3 ans doivent être tenus éloignés de l'appareil en permanence lorsqu'il est en fonctionnement.

SÉCURITÉ GÉNÉRALE

- **AVERTISSEMENT:** L'appareil et ses parties accessibles deviennent chauds pendant son fonctionnement. Veillez à ne

pas toucher les éléments chauffants. Les enfants de moins de 8 ans doivent être tenus à l'écart, à moins d'être surveillés en permanence.

- Ne faites pas fonctionner l'appareil avec un minuteur externe ou un système de commande à distance.
- **AVERTISSEMENT** : Il peut être dangereux de laisser chauffer de la graisse ou de l'huile sans surveillance sur une table de cuisson car cela pourrait provoquer un incendie.
- N'essayez **JAMAIS** d'éteindre un feu avec de l'eau. Éteignez l'appareil puis couvrez les flammes, par exemple avec un couvercle ou une couverture ignifuge.
- **ATTENTION** : Toute cuisson doit être surveillée. Une cuisson courte doit être surveillée en permanence.
- **AVERTISSEMENT** : Risque d'incendie ! N'entreposez rien sur les surfaces de cuisson.
- Ne posez pas d'objets métalliques tels que couteaux, fourchettes, cuillères ou couvercles sur la table de cuisson car ils pourraient chauffer.
- N'utilisez pas de nettoyeur vapeur pour nettoyer l'appareil.
- Après utilisation, éteignez toujours la zone de cuisson à l'aide de la manette de commande correspondante et ne vous fiez pas à la détection des récipients.
- Si la surface vitrocéramique / en verre est fissurée, éteignez l'appareil pour éviter tout risque d'électrocution.
- Si le câble d'alimentation est endommagé, il doit être remplacé par le fabricant, un service de maintenance agréé ou un technicien qualifié afin d'éviter tout danger.
- **AVERTISSEMENT** : Utilisez uniquement les dispositifs de protection pour table de cuisson conçus ou indiqués comme adaptés par le fabricant de l'appareil de cuisson dans les instructions d'utilisation, ou les dispositifs de protection pour table de cuisson intégrés à l'appareil. L'utilisation de dispositifs de protection non adaptés peut entraîner des accidents.

CONSIGNES DE SÉCURITÉ

INSTALLATION



AVERTISSEMENT! L'appareil doit être installé uniquement par un professionnel qualifié.



AVERTISSEMENT! Risque de blessure corporelle ou de dommages matériels.

- Retirez l'intégralité de l'emballage.
- N'installez pas et ne branchez pas un appareil endommagé.
- Suivez scrupuleusement les instructions d'installation fournies avec l'appareil.
- Respectez l'espacement minimal requis par rapport aux autres appareils et éléments.
- Soyez toujours vigilants lorsque vous déplacez l'appareil car il est lourd. Utilisez toujours des gants de sécurité et des chaussures fermées.
- Isolez les surfaces découpées à l'aide d'un matériau d'étanchéité pour éviter que la moisissure ne provoque de gonflements.
- Protégez la partie inférieure de l'appareil de la vapeur et de l'humidité.
- N'installez pas l'appareil près d'une porte ou sous une fenêtre. Les récipients chauds risqueraient de tomber de l'appareil lors de l'ouverture de celles-ci.
- Si l'appareil est installé au-dessus de tiroirs, assurez-vous qu'il y a suffisamment d'espace entre le fond de l'appareil et le tiroir supérieur pour que l'air puisse circuler.
- Le dessous de l'appareil peut devenir très chaud. Veillez à installer un panneau de séparation ignifuge sous l'appareil pour en bloquer l'accès.
- Assurez-vous de laisser un espace de ventilation de 2 mm entre le plan de travail et l'avant de l'appareil qui est installé dessous. La garantie ne couvre pas les dommages causés par l'absence d'un espace de ventilation adéquat.

BRANCHEMENT ÉLECTRIQUE



AVERTISSEMENT! Risque d'incendie ou d'électrocution.

- L'ensemble des branchements électriques doit être effectué par un technicien qualifié.
- L'appareil doit être relié à la terre.
- Avant toute intervention, assurez-vous que l'appareil est débranché.
- Vérifiez que les données électriques figurant sur la plaque signalétique correspondent à celles de votre réseau. Si ce n'est pas le cas, contactez un électricien.
- Assurez-vous que l'appareil est bien installé. Un câble d'alimentation lâche et inapproprié ou une fiche (si présente) non serrée peuvent être à l'origine d'une surchauffe des bornes.
- Utilisez le câble d'alimentation électrique approprié.
- Ne laissez pas le câble d'alimentation s'emmêler.
- Assurez-vous qu'une protection anti-électrocution est installée.
- Utilisez un collier anti-traction sur le câble.
- Assurez-vous que le câble d'alimentation ou la fiche (si présente) n'entrent pas en contact avec les surfaces brûlantes de l'appareil ou les récipients brûlants lorsque vous branchez l'appareil à des prises électriques situées à proximité.
- N'utilisez pas d'adaptateurs multiprises ni de rallonges.
- Veillez à ne pas endommager la fiche secteur (si présente) ni le câble d'alimentation. Contactez notre centre de maintenance agréé ou un électricien pour remplacer le câble d'alimentation s'il est endommagé.
- La protection contre les chocs des parties sous tension et isolées doit être fixée de telle manière qu'elle ne peut pas être enlevée sans outils.
- Ne branchez la fiche d'alimentation à la prise de courant qu'à la fin de l'installation. Assurez-vous que la prise de courant est accessible une fois l'appareil installé.
- Si la prise de courant est lâche, ne branchez pas la fiche d'alimentation secteur.
- Ne tirez jamais sur le câble d'alimentation pour débrancher l'appareil. Tirez toujours sur la fiche.
- N'utilisez que des systèmes d'isolation appropriés : des coupe-circuits, des fusibles (les fusibles à visser doivent être retirés du support), un disjoncteur différentiel et des contacteurs.
- L'installation électrique doit être équipée d'un dispositif d'isolement à coupure omnipolaire. Le dispositif d'isolement doit présenter une distance d'ouverture des contacts d'au moins 3 mm.

UTILISATION



AVERTISSEMENT! Risque de blessures, de brûlures ou d'électrocution.

- Avant la première utilisation, retirez les emballages, les étiquettes et les films de protection (si présents).
- Utilisez cet appareil dans un environnement domestique.
- Ne modifiez pas les caractéristiques de cet appareil.
- Assurez-vous que les orifices de ventilation ne sont pas bouchés.
- Ne laissez jamais l'appareil sans surveillance pendant son fonctionnement.
- Éteignez les zones de cuisson après chaque utilisation.
- Ne vous fiez pas uniquement au détecteur de récipient.
- Ne posez pas de couverts ou de couvercles sur les zones de cuisson. Elles sont chaudes.
- N'utilisez jamais cet appareil avec les mains mouillées ou lorsqu'il est en contact avec de l'eau.
- N'utilisez jamais l'appareil comme plan de travail ou comme plan de stockage.
- Si la surface de l'appareil présente des fêlures, débranchez immédiatement l'appareil. pour éviter tout risque d'électrocution.
- Les porteurs de pacemakers doivent rester à une distance minimale de 30 cm des zones de cuisson à induction lorsque l'appareil est en cours de fonctionnement.
- Lorsque vous versez un aliment dans de l'huile chaude, elle peut éclabousser.



AVERTISSEMENT! Risque d'incendie et d'explosion.

- Les graisses et l'huile chaudes peuvent dégager des vapeurs inflammables. Tenez les flammes ou les objets chauds éloignés des graisses et de l'huile lorsque vous vous en servez pour cuisiner.
- Les vapeurs dégagées par l'huile très chaude peuvent provoquer une combustion spontanée.
- L'huile qui a servi contient des restes d'aliments pouvant provoquer un incendie à température plus faible que l'huile n'ayant jamais servi.
- Ne placez pas de produits inflammables ou d'éléments imbibés de produits inflammables à l'intérieur ou à proximité de l'appareil, ni sur celui-ci.



AVERTISSEMENT! Risque d'endommagement de l'appareil.

- Ne laissez pas de récipients chauds sur le bandeau de commande.
- Ne posez pas de couvercle de casserole chaud sur la surface en verre de la table de cuisson.
- Ne laissez pas le contenu des récipients de cuisson s'évaporer complètement.
- Prenez soin de ne pas laisser tomber d'objets ou de récipients sur l'appareil. Sa surface risque d'être endommagée.
- Ne faites jamais fonctionner les zones de cuisson avec des récipients de cuisson vides ou sans aucun récipient de cuisson.
- Ne placez jamais de papier aluminium sur l'appareil.
- N'utilisez pas de récipients en fonte ou en aluminium, ni de récipients dont le fond est endommagé et rugueux. Ils risqueraient de rayer le verre ou la surface vitrocéramique. Soulevez toujours ces objets lorsque vous devez les déplacer sur la surface de cuisson.
- Cet appareil est exclusivement destiné à un usage culinaire. Ne l'utilisez pas pour des usages autres que celui pour lequel il a été conçu, à des fins de chauffage par exemple.

ENTRETIEN ET NETTOYAGE



AVERTISSEMENT! Ne retirez pas les touches, manettes et joints du bandeau de commande. De l'eau pourrait s'infiltrer dans l'appareil et l'endommager.

- Nettoyez régulièrement l'appareil afin de maintenir le revêtement en bon état.
- Éteignez l'appareil et laissez-le refroidir avant de le nettoyer.
- Débranchez l'appareil de l'alimentation électrique avant toute opération de maintenance.
- Ne pulvérisez pas d'eau ni de vapeur pour nettoyer l'appareil.
- Nettoyez l'appareil avec un chiffon doux humide. Utilisez uniquement des produits de lavage neutres. N'utilisez pas de produits abrasifs, de tampons à recurer, de solvants ni d'objets métalliques.

SERVICE

- Pour réparer l'appareil, contactez le service après-vente agréé. Utilisez uniquement des pièces de rechange d'origine.
- Concernant la/les lampe(s) à l'intérieur de ce produit et les lampes de rechange vendues

séparément : Ces lampes sont conçues pour résister à des conditions physiques extrêmes dans les appareils électroménagers, telles que la température, les vibrations, l'humidité, ou sont conçues pour signaler des informations sur le statut opérationnel de l'appareil. Elles ne sont pas destinées à être utilisées dans d'autres applications et ne conviennent pas à l'éclairage des pièces d'un logement.

- Contactez votre service municipal pour obtenir des informations sur la marche à suivre pour mettre l'appareil au rebut.
- Débranchez l'appareil de l'alimentation électrique.
- Coupez le câble d'alimentation au ras de l'appareil et mettez-le au rebut.

MISE AU REBUT



AVERTISSEMENT! Risque de blessure ou d'asphyxie.

INSTALLATION



AVERTISSEMENT! Reportez-vous aux chapitres concernant la sécurité.

AVANT L'INSTALLATION

Avant d'installer la table de cuisson, notez les informations de la plaque signalétique ci-dessous. La plaque signalétique se trouve au bas de la table de cuisson.

Modèle
 PNC
 Numéro de série

TABLES DE CUISSON INTÉGRÉES

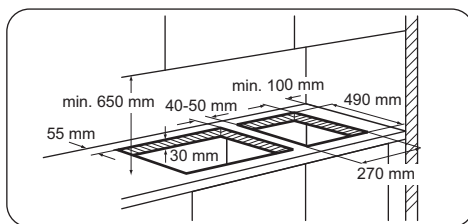
Les tables de cuisson encastrables ne peuvent être mises en fonctionnement qu'après avoir été installées dans des meubles et sur des plans de travail homologués et adaptés.

CÂBLE D'ALIMENTATION

- La table de cuisson est fournie avec un câble d'alimentation.
- Pour remplacer le câble d'alimentation endommagé, utilisez le type de câble suivant (ou

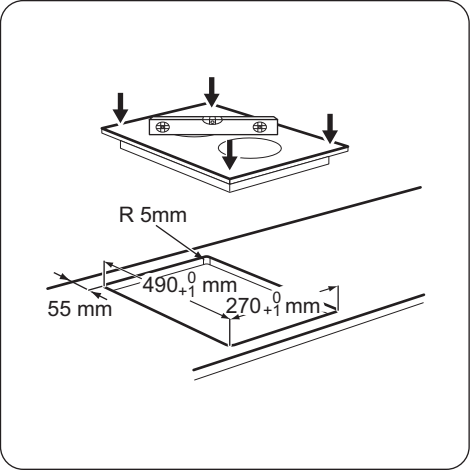
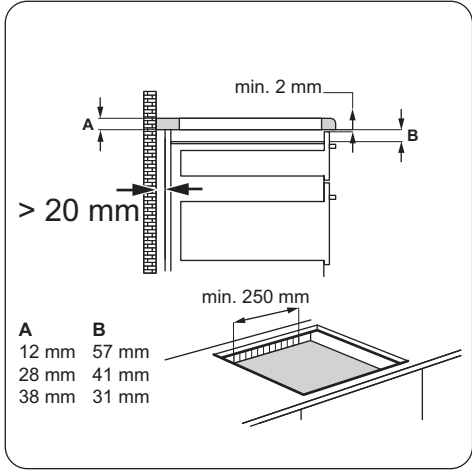
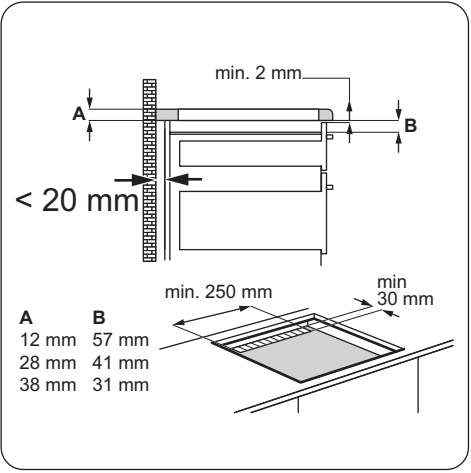
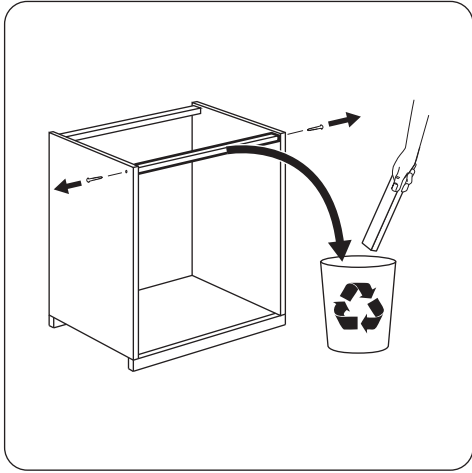
de calibre supérieur) : H05V2V2-F T min 90°C.
 Contactez votre service après-vente local.

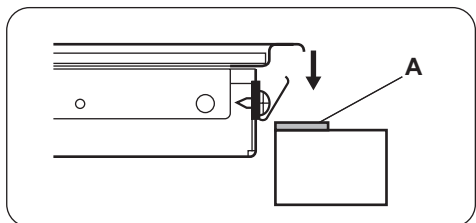
INSTALLATION DE PLUSIEURS TABLES DE CUISSON



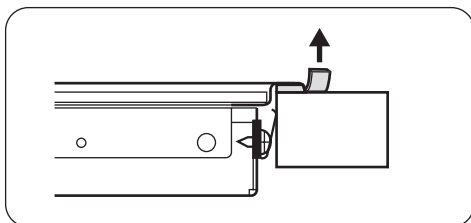
Si vous devez installer plusieurs tables de cuisson de 30 cm les unes à côté des autres dans la même découpe, vous pouvez vous procurer un kit de montage comprenant un support latéral et des joints supplémentaires auprès de votre service après vente agréé. Les instructions d'installation correspondantes sont fournies avec le kit.

MONTAGE

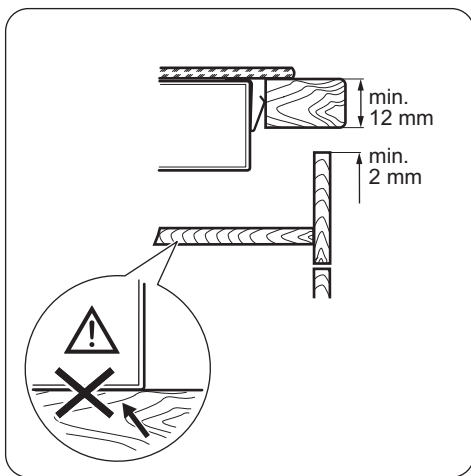
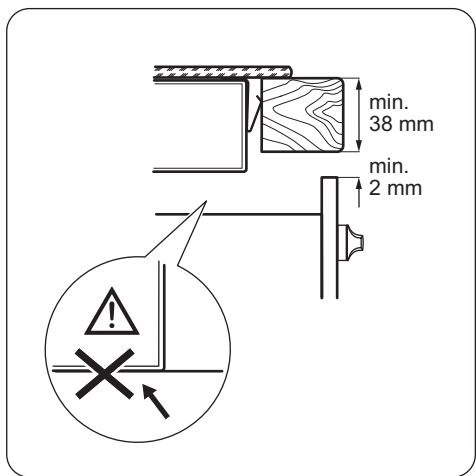




Placez le joint d'étanchéité A tout autour du bord de la découpe.

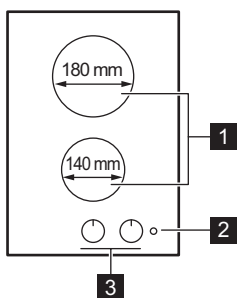


Placez la table de cuisson dans la découpe et poussez-la jusqu'à ce qu'elle soit en contact avec le plan de travail, puis enlevez le surplus de joint d'étanchéité.



DESCRIPTION DE L'APPAREIL

DESCRIPTION DE LA TABLE DE CUISSON



- 1** Zone de cuisson à induction
- 2** Voyant de mise sous tension
- 3** Manettes de commande

MANETTE

Symbole	Fonction
0	L'appareil est éteint
1 - 9	Niveaux de cuisson

CHALEUR RÉSIDUELLE



AVERTISSEMENT! La chaleur résiduelle peut être source de brûlures.

Les zones de cuisson à induction génèrent la chaleur nécessaire directement sur le fond des plats de cuisson. La table vitrocéramique est chauffée par la chaleur des récipients.

UTILISATION QUOTIDIENNE



AVERTISSEMENT! Reportez-vous aux chapitres concernant la sécurité.

LE NIVEAU DE CUISSON

Pour régler ou modifier le niveau de cuisson, tournez la manette sur le niveau de cuisson

souhaité. Pour désactiver, tournez la manette sur la position Off.

Le voyant d'alimentation s'allume quand une ou plusieurs zones de cuisson sont activées. Quand vous désactivez les zones de cuisson, le voyant s'éteint.

CONSEILS



AVERTISSEMENT! Reportez-vous aux chapitres concernant la sécurité.

USTENSILES DE CUISSON



Sur les zones de cuisson à induction, un champ électromagnétique puissant chauffe les récipients très rapidement.



Utilisez des récipients adaptés aux zones de cuisson à induction.

Les zones de cuisson à induction s'adaptent automatiquement au diamètre du fond du récipient utilisé, jusqu'à une certaine limite.

L'efficacité de la zone de cuisson est liée au diamètre du récipient. Un récipient plus petit que le diamètre minimal recommandé ne reçoit qu'une petite partie de la puissance générée par la zone de cuisson.



Reportez-vous au chapitre « Caractéristiques techniques ».

Matériaux des récipients

- **adaptés** : fonte, acier, acier émaillé, acier inoxydable, fond multicouche (homologué par le fabricant).
- **inadaptés** : aluminium, cuivre, laiton, verre, céramique, porcelaine.

Les plats de cuisson conviennent pour l'induction si :

- une petite quantité d'eau contenue dans un récipient chauffe dans un bref laps de temps sur une zone de cuisson réglée sur le niveau de cuisson maximal.
- un aimant adhère au fond du récipient.



Le fond de l'ustensile de cuisson doit être aussi plat et épais que possible.

Dimensions de l'ustensile

BRUITS PENDANT LE FONCTIONNEMENT

Si vous entendez :

- un craquement : le récipient est composé de différents matériaux (conception « sandwich »).
- un sifflement : vous utilisez la zone de cuisson avec un niveau de puissance élevé et le récipient est composé de différents matériaux (conception « sandwich »).
- un bourdonnement : vous utilisez un niveau de puissance élevé.
- un cliquetis : des commutations électriques se produisent.
- un sifflement, un bourdonnement : le ventilateur fonctionne.

Ces bruits sont normaux et n'indiquent pas une anomalie de la table de cuisson.

EXEMPLES DE CUISSON

Le rapport entre le niveau de cuisson et la consommation énergétique de la zone de cuisson n'est pas linéaire. Lorsque vous augmentez le niveau de cuisson, l'augmentation énergétique de la zone de cuisson n'est pas proportionnelle. Cela signifie que la zone de cuisson utilisée à un niveau

de cuisson moyen utilise moins de la moitié de sa puissance.



Les valeurs figurant dans le tableau suivant sont fournies à titre indicatif.

Niveau de cuisson	Utilisation :	Durée (min)	Conseils
1	Conservez les aliments cuits au chaud.	au besoin	Placez un couvercle sur le récipient.
1 - 2	Sauce hollandaise, faire fondre : beurre, chocolat, gélatine.	5 - 25	Mélangez de temps en temps.
1 - 2	Solidifier : omelettes, œufs cocotte.	10 - 40	Couvrez pendant la cuisson.
2 - 3	Faire mijoter des plats à base de riz et de laitage, réchauffer des plats cuisinés.	25 - 50	Ajoutez au moins deux fois plus d'eau que de riz. Remuez les plats à base de lait durant la cuisson.
3 - 4	Cuire à la vapeur des légumes, du poisson et de la viande.	20 - 45	Ajoutez quelques cuillerées de liquide.
4 - 5	Cuire des pommes de terre à la vapeur.	20 - 60	Utilisez max. ¼ l d'eau pour 750 g de pommes de terre.
4 - 5	Cuire de grandes quantités d'aliments, des ragoûts et des soupes.	60 - 150	Ajoutez jusqu'à 3 litres de liquide, plus les ingrédients.
6 - 7	Faire revenir : escalopes, cordons bleus de veau, côtelettes, rissoles, saucisses, foie, roux, œufs, crêpes, beignets.	au besoin	Retournez à la moitié du temps.
7 - 8	Cuisson à température élevée des pommes de terre rissolées, filets, steaks.	5 - 15	Retournez à la moitié du temps.
9	Faire bouillir de l'eau, cuire des pâtes, griller de la viande (goulasch, bœuf braisé), cuire des frites.		

ENTRETIEN ET NETTOYAGE



AVERTISSEMENT! Reportez-vous aux chapitres concernant la sécurité.

INFORMATIONS GÉNÉRALES

- Nettoyez la table de cuisson après chaque utilisation.
- Utilisez toujours un plat de cuisson dont le fond est propre.
- Les rayures ou les taches sombres sur la surface n'ont aucune incidence sur le fonctionnement de la table de cuisson.
- Utilisez un nettoyant spécialement adapté à la surface de la table de cuisson.
- Utilisez un racloir spécial pour la vitre.

NETTOYAGE DE LA TABLE DE CUISSON

- **Enlevez immédiatement** : plastique fondu, films plastiques, sucre et aliments contenant du sucre. Sinon, la saleté pourrait endommager la table de cuisson. Veillez à ne pas vous brûler. Tenez le racloir spécial incliné sur la surface vitrée et faites glisser la lame du racloir pour enlever les salissures.
- **Une fois que la table de cuisson a suffisamment refroidi, enlevez** : traces de calcaire et d'eau, projections de graisse,

décolorations métalliques luisantes. Nettoyez la table de cuisson à l'aide d'un chiffon humide et d'un détergent non abrasif. Après le nettoyage, séchez la table de cuisson à l'aide d'un chiffon doux.

- **Pour retirer les décolorations métalliques brillantes** : utilisez une solution d'eau additionnée de vinaigre et nettoyez la surface vitrée avec un chiffon humide.

DÉPANNAGE



AVERTISSEMENT! Reportez-vous aux chapitres concernant la sécurité.

EN CAS D'ANOMALIE DE FONCTIONNEMENT

Anomalie	Cause possible	Solution
Vous ne pouvez pas mettre en fonctionnement la table de cuisson.	La table de cuisson n'est pas connectée à une source d'alimentation électrique ou le branchement est incorrect.	Vérifiez que la table de cuisson est correctement branchée à une source d'alimentation électrique. Reportez-vous au schéma de branchement.
	Le fusible a disjoncté.	Vérifiez que le fusible est bien la cause de l'anomalie. Si les fusibles disjonctent de manière répétée, faites appel à un électricien qualifié.

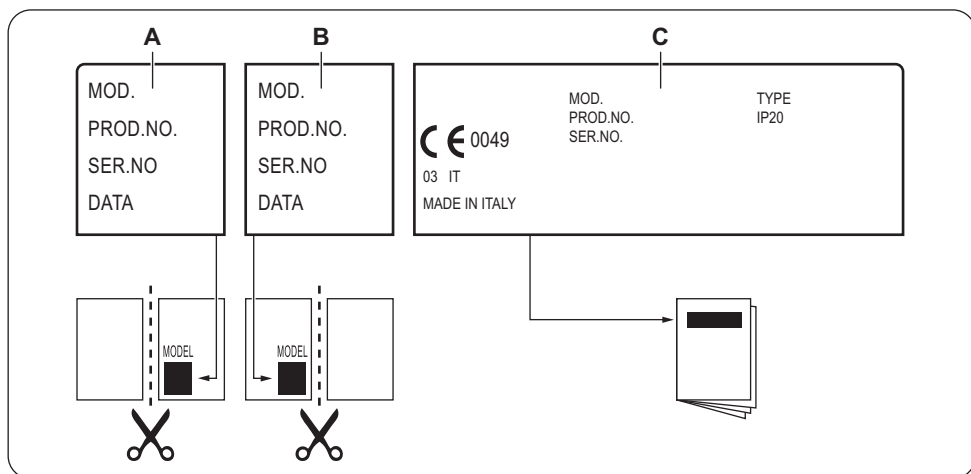
SI VOUS NE TROUVEZ PAS DE SOLUTION...

Si vous ne trouvez pas de solution au problème, veuillez contacter votre revendeur ou un service après-vente agréé. Veuillez lui fournir les informations se trouvant sur la plaque signalétique. Donnez également la combinaison à 3 lettres et chiffres pour la vitrocéramique (située dans un des coins de la surface en verre). Assurez-vous d'utiliser correctement l'appareil. En cas d'erreur de

manipulation de la part de l'utilisateur, le déplacement du technicien du service après-vente ou du vendeur pourra être facturé, même en cours de garantie. Les instructions relatives au service après-vente et aux conditions de garantie figurent dans le livret de garantie.

ÉTIQUETTES FOURNIES DANS LE SACHET DES ACCESSOIRES

Collez les étiquettes adhésives comme indiqué ci-dessous :



- A.** Collez-la sur la carte de garantie et envoyez cette partie (le cas échéant).
- B.** Collez-la sur la carte de garantie et conservez cette partie (le cas échéant).
- C.** Collez-la sur la notice d'utilisation.

CARACTÉRISTIQUES TECHNIQUES

CARACTÉRISTIQUES DES ZONES DE CUISSON

Zone de cuisson	Puissance nominale (réglage de chaleur maximum) [W]	Fonction Booster [W]	Fonction Booster durée maximale [min]	Diamètre de l'ustensile de cuisson [mm]
Avant centrale	1400	-	-	125 - 140
Arrière centrale	1800	-	-	145 - 180

La puissance des zones de cuisson peut être légèrement différente des données indiquées par la table. Elle change avec le matériau et les dimensions du plat de cuisson.

Pour des résultats de cuisson optimaux, utilisez des récipients qui ne dépassent pas le diamètre de la zone de cuisson.

RENDEMENT ÉNERGÉTIQUE

INFORMATIONS SUR LE PRODUIT SELON LA NORME EU 66/2014

Identification du modèle		ZEI3921IBA
Type de table de cuisson		Table de cuisson intégrée
Nombre de zones de cuisson		2
Technologie de chauffage		Induction
Diamètre des zones de cuisson circulaires (Ø)	Avant centrale Arrière centrale	14,0 cm 18,0 cm
Consommation d'énergie selon la zone de cuisson (EC electric cooking)	Avant centrale Arrière centrale	188,8 Wh / kg 183,0 Wh / kg
Consommation d'énergie de la table de cuisson (EC electric hob)		185,9 Wh / kg

EN 60350-2 - Appareils de cuisson domestiques électriques - Partie 2 : Tables de cuisson - Méthodes de mesure des performances


ÉCONOMIE D'ÉNERGIE


Vous pouvez économiser de l'énergie au quotidien en suivant les conseils suivants.

- Si vous faites chauffer de l'eau, ne faites chauffer que la quantité dont vous avez réellement besoin.
- Si possible, couvrez toujours les récipients de cuisson avec un couvercle pendant la cuisson.

- Activez toujours la zone de cuisson après avoir posé le récipient dessus.
- Placez les plus petits récipients sur les plus petites zones de cuisson.
- Posez directement le récipient au centre de la zone de cuisson.
- Vous pouvez utiliser la chaleur résiduelle pour conserver les aliments au chaud ou pour faire fondre.

EN MATIÈRE DE PROTECTION DE L'ENVIRONNEMENT

Recyclez les matériaux portant le symbole . Déposez les emballages dans les conteneurs prévus à cet effet. Contribuez à la protection de l'environnement et à votre sécurité, recyclez vos produits électriques et électroniques. Ne jetez pas

les appareils portant le symbole  avec les ordures ménagères. Emmenez un tel produit dans votre centre local de recyclage ou contactez vos services municipaux.

BESUCHEN SIE UNSERE WEBSITE, UM:



Anwendungshinweise, Prospekte, Informationen zu Fehlerbehebung, Service und Reparatur zu erhalten:

www.zanussi.com/support

SICHERHEITSHINWEISE

Lesen Sie vor der Montage und dem Gebrauch des Geräts zuerst die Gebrauchsanleitung. Bei Verletzungen oder Schäden infolge nicht ordnungsgemäßer Montage oder Verwendung des Geräts übernimmt der Hersteller keine Haftung. Bewahren Sie die Anleitung immer an einem sicheren und zugänglichen Ort zum späteren Nachschlagen auf.

SICHERHEIT VON KINDERN UND SCHUTZBEDÜRFTIGEN PERSONEN

- Das Gerät kann von Kindern ab 8 Jahren und Personen mit eingeschränkten physischen, sensorischen oder geistigen Fähigkeiten oder mit mangelnder Erfahrung und/oder mangelndem Wissen nur dann verwendet werden, wenn sie durch eine für ihre Sicherheit zuständige Person beaufsichtigt werden oder in die sichere Verwendung des Geräts eingewiesen wurden und die mit dem Gerät verbundenen Gefahren verstanden haben.
- Kinder dürfen nicht mit dem Gerät spielen.
- Halten Sie sämtliches Verpackungsmaterial von Kindern fern und entsorgen Sie es auf angemessene Weise.
- Halten Sie Kinder und Haustiere während des Betriebs oder der Abkühlphase vom Gerät fern. Berührbare Teile sind heiß.
- Falls Ihr Gerät mit einer Kindersicherung ausgestattet ist, empfehlen wir, diese einzuschalten.
- Kinder dürfen keine Reinigung und Wartung ohne Beaufsichtigung durchführen.
- Kinder bis zu 3 Jahren sind während des Betriebs unbedingt von dem Gerät fernzuhalten.

ALLGEMEINE SICHERHEIT

- **WARNUNG:** Das Gerät und die zugänglichen Geräteteile werden während des Betriebs heiß. Seien Sie vorsichtig und berühren Sie niemals die Heizelemente. Halten Sie Kinder unter 8 Jahren vom Gerät fern, wenn sie nicht ständig beaufsichtigt werden.
- Schalten Sie das Gerät nicht über eine externe Zeitschaltuhr oder eine separate Fernsteuerung ein.
- **WARNUNG:** Kochen mit Fett oder Öl auf einem unbeaufsichtigten Kochfeld ist gefährlich und kann zu einem Brand führen.
- Versuchen Sie NICHT einen Brand mit Wasser zu löschen, sondern schalten Sie das Gerät aus und bedecken Sie die Flamme mit einem Deckel oder einer Feuerlöschdecke.
- **VORSICHT:** Der Kochvorgang muss überwacht werden. Ein kurzer Kochvorgang muss kontinuierlich überwacht werden.
- **WARNUNG:** Brandgefahr: Legen Sie keine Gegenstände auf dem Kochfeld ab.
- Legen Sie keine Metallgegenstände wie Messer, Gabeln, Löffel oder Topfdeckel auf die Oberfläche des Kochfelds, da diese heiß werden können.
- Reinigen Sie das Gerät nicht mit einem Dampfstrahlreiniger.
- Schalten Sie die Kochzone nach dem Gebrauch ab und verlassen Sie sich nicht auf die Topferkennung.
- Hat die Glaskeramik-/Glasoberfläche einen Sprung, schalten Sie das Gerät aus, um einen Stromschlag zu vermeiden.
- Wenn das Netzkabel beschädigt ist, muss es vom Hersteller, einem autorisierten Kundendienst oder einer gleichermaßen qualifizierten Person ausgetauscht werden, um Gefahrenquellen zu vermeiden.
- **WARNUNG:** Verwenden Sie nur Schutzabdeckungen des Herstellers des Kochgeräts, von ihm in der Bedienungsanleitung als geeignete und empfohlene Schutzabdeckungen oder die im Gerät enthaltene Schutzabdeckung. Es besteht Unfallgefahr durch die Verwendung ungeeigneter Schutzabdeckungen.

SICHERHEITSANWEISUNGEN

MONTAGE



WARNUNG! Die Montage des Geräts darf nur von einer qualifizierten Fachkraft durchgeführt werden.



WARNUNG! Verletzungsgefahr sowie Risiko von Schäden am Gerät.

- Entfernen Sie das gesamte Verpackungsmaterial.
 - Montieren Sie ein beschädigtes Gerät nicht und benutzen Sie es nicht.
 - Halten Sie sich an die mitgelieferte Montageanleitung.
 - Die Mindestabstände zu anderen Geräten und Küchenmöbeln sind einzuhalten.
 - Seien Sie beim Bewegen des Gerätes vorsichtig, da es sehr schwer ist. Tragen Sie stets Sicherheitshandschuhe und festes Schuhwerk.
 - Dichten Sie die Ausschnittskanten mit einem Dichtungsmittel ab, um ein Aufquellen durch Feuchtigkeit zu verhindern.
 - Schützen Sie die Geräteunterseite vor Dampf und Feuchtigkeit.
 - Installieren Sie das Gerät nicht direkt neben einer Tür oder unter einem Fenster. So kann heißes Kochgeschirr nicht herunterfallen, wenn die Tür oder das Fenster geöffnet wird.
 - Wird das Gerät über Schubladen eingebaut, achten Sie darauf, dass zwischen dem Geräteboden und der oberen Schublade ein ausreichender Abstand für die Luftzirkulation vorhanden ist.
 - Der Boden des Geräts kann heiß werden. Achten Sie darauf eine feuerfeste Trennplatte unter dem Gerät anzubringen, damit der Boden nicht zugänglich ist.
 - Achten Sie darauf, dass zwischen der Arbeitsplatte und dem Gerät darunter ein Abstand von 2 mm zur Belüftung frei gelassen wird. Schäden, die durch das Fehlen eines Belüftungsabstands entstehen, sind von der Garantie ausgenommen.
- ## ELEKTRISCHER ANSCHLUSS
- Alle elektrischen Anschlüsse sind von einem geprüften Elektriker vorzunehmen.
 - Das Gerät muss geerdet sein.
 - Vor der Durchführung jeglicher Arbeiten muss das Gerät von der elektrischen Stromversorgung getrennt werden.
 - Stellen Sie sicher, dass die elektrischen Daten auf dem Typenschild den Daten Ihrer Stromversorgung entsprechen. Wenden Sie sich anderenfalls an eine Elektrofachkraft.
 - Achten Sie darauf, dass das Gerät ordnungsgemäß montiert wird. Wenn freiliegende oder ungeeignete Netzkabel oder Netzstecker (fall vorhanden) verwendet werden, kann der Anschluss überhitzen.
 - Stellen Sie sicher, dass Sie das richtige Kabel für den elektrischen Netzanschluss verwenden.
 - Achten Sie darauf, dass das Netzkabel nicht lose hängt oder sich verheddert.
 - Sorgen Sie dafür, dass ein Berührungsschutz installiert wird.
 - Verwenden Sie die Zugentlastung für das Kabel.
 - Stellen Sie beim elektrischen Anschluss des Gerätes sicher, dass das Netzkabel oder ggf. der Netzstecker nicht mit dem heißen Gerät oder heißem Kochgeschirr in Berührung kommt.
 - Verwenden Sie keine Mehrfachsteckdosen oder Verlängerungskabel.
 - Achten Sie darauf, Netzstecker (falls vorhanden) und Netzkabel nicht zu beschädigen. Wenden Sie sich zum Austausch des beschädigten Netzkabels an unseren autorisierten Kundendienst oder eine Elektrofachkraft.
 - Alle Teile, die gegen direktes Berühren schützen, sowie die isolierten Teile müssen so befestigt werden, dass sie nicht ohne Werkzeug entfernt werden können.
 - Stecken Sie den Netzstecker erst nach Abschluss der Montage in die Steckdose. Stellen Sie sicher, dass der Netzstecker nach der Montage noch zugänglich ist.
 - Falls die Steckdose lose ist, schließen Sie den Netzstecker nicht an.
 - Ziehen Sie nicht am Netzkabel, wenn Sie das Gerät vom Netzstrom trennen möchten. Ziehen Sie stets am Netzstecker.
 - Verwenden Sie nur geeignete Trenneinrichtungen: Überlastschalter, Sicherungen (Schraub Sicherungen müssen aus dem Halter entfernt werden können), Erdschlüsse, Kontakte.
 - Die elektrische Installation muss eine Trenneinrichtung aufweisen, mit der Sie das Gerät allpolig von der Stromversorgung trennen können. Die Trenneinrichtung muss mit einer Kontaktöffnungsbreite von mindestens 3 mm ausgeführt sein.



WARNUNG! Brand- und Stromschlaggefahr.

GEBRAUCH



WARNUNG! Verletzungs-, Verbrennungs- und Stromschlaggefahr.

- Entfernen Sie vor dem ersten Gebrauch das gesamte Verpackungsmaterial, die Aufkleber und Schutzfolie (falls vorhanden).
- Das Gerät ist für die Verwendung im Haushalt vorgesehen.
- Nehmen Sie keine technischen Änderungen am Gerät vor.
- Die Lüftungsöffnungen dürfen nicht abgedeckt werden.
- Lassen Sie das Gerät bei Betrieb nicht unbeaufsichtigt.
- Schalten Sie die Kochzonen nach jedem Gebrauch aus.
- Verlassen Sie sich nicht auf die Topferkennung.
- Legen Sie kein Besteck und keine Topfdeckel auf die Kochzonen. Anderenfalls werden sie sehr heiß.
- Bedienen Sie das Gerät nicht mit feuchten oder nassen Händen oder wenn es mit Wasser in Kontakt gekommen ist.
- Benutzen Sie das Gerät nicht als Arbeits- oder Abstellfläche.
- Hat die Geräteoberfläche einen Sprung, trennen Sie das Gerät umgehend von der Spannungsversorgung. Dies dient zur Vermeidung eines Stromschlags.
- Benutzer mit einem Herzschrittmacher müssen einen Mindestabstand von 30 cm zu den Induktionskochzonen einhalten, wenn das Gerät in Betrieb ist.
- Wenn Sie Nahrungsmittel in heißes Öl geben, kann dieses spritzen.



WARNUNG! Brand- und Explosionsgefahr!

- Erhitzte Öle und Fette können brennbare Dämpfe freisetzen. Halten Sie Flammen und erhitzte Gegenstände beim Kochen mit Fetten und Ölen von diesen fern.
- Die von sehr heißem Öl freigesetzten Dämpfe können eine Selbstzündung verursachen.
- Bereits verwendetes Öl kann Lebensmittelreste enthalten und schon bei niedrigeren Temperaturen eher einen Brand verursachen als frisches Öl.
- Laden Sie keine entflammaren Produkte oder Gegenstände, die mit entflammaren Produkten benetzt sind, in das Gerät und stellen Sie solche nicht in die Nähe oder auf das Gerät.



WARNUNG! Das Gerät könnte beschädigt werden.

- Stellen Sie kein heißes Kochgeschirr auf das Bedienfeld.
- Stellen Sie keine heißen Pfannen auf die Glasoberfläche des Kochfeldes.
- Lassen Sie das Kochgeschirr nicht leerkochen.
- Lassen Sie keine Gegenstände oder Kochgeschirr auf das Gerät fallen. Die Oberfläche könnte beschädigt werden.
- Schalten Sie die Kochzonen niemals ein, wenn sich kein Kochgeschirr darauf befindet, oder wenn das Kochgeschirr leer ist.
- Legen Sie keine Alufolie auf das Gerät.
- Kochgeschirr aus Gusseisen, Aluminium oder mit beschädigten Böden kann die Glas- bzw. Glaskeramikoberfläche verkratzen. Heben Sie das Kochgeschirr stets an, wenn Sie es auf dem Kochfeld umsetzen möchten.
- Dieses Gerät ist nur zum Kochen bestimmt. Jeder andere Gebrauch ist als bestimmungsfremd anzusehen, zum Beispiel das Beheizen eines Raums.

REINIGUNG UND PFLEGE



WARNUNG! Entfernen Sie nicht die Tasten, Knöpfe oder Dichtungen vom Bedienfeld. Wasser könnte in das Gerät gelangen und es beschädigen.

- Reinigen Sie das Gerät regelmäßig, um eine Verschlechterung des Oberflächenmaterials zu verhindern.
- Schalten Sie das Gerät vor dem Reinigen aus und lassen Sie es abkühlen.
- Trennen Sie das Gerät vor Wartungsarbeiten von der Spannungsversorgung.
- Reinigen Sie das Gerät nicht mit Wasserspray oder Dampf.
- Reinigen Sie das Gerät mit einem weichen, feuchten Tuch. Verwenden Sie ausschließlich Neutralreiniger. Benutzen Sie keine Scheuermittel, scheuernde Reinigungsschwämmchen, Lösungsmittel oder Metallgegenstände.

WARTUNG

- Wenden Sie sich zur Reparatur des Geräts an den autorisierten Kundendienst. Dabei dürfen ausschließlich Originalersatzteile verwendet werden.
- Bezüglich der Lampe(n) in diesem Gerät und separat verkaufter Ersatzlampen: Diese Lampen müssen extremen physikalischen Bedingungen in Haushaltsgeräten standhalten, wie z.B.

Temperatur, Vibration, Feuchtigkeit, oder sollen Informationen über den Betriebszustand des Gerätes anzeigen. Sie sind nicht für den Einsatz in anderen Geräten vorgesehen und nicht für die Raumbeleuchtung geeignet.

- Für Informationen zur ordnungsgemäßen Entsorgung des Geräts wenden Sie sich an die zuständige kommunale Behörde vor Ort.
- Trennen Sie das Gerät von der Stromversorgung.
- Schneiden Sie das Netzkabel in der Nähe des Geräts ab, und entsorgen Sie es.

ENTSORGUNG



WARNUNG! Verletzungs- und Erstickungsgefahr.

MONTAGE



WARNUNG! Siehe Kapitel "Sicherheitshinweise".

VOR DER MONTAGE

Notieren Sie vor der Montage des Kochfelds folgende Daten, die Sie auf dem Typenschild finden. Das Typenschild ist auf dem Boden des Kochfelds angebracht.

Modell
Produktnummer
(PNC)
Seriennummer

EINBAU-KOCHFELDER

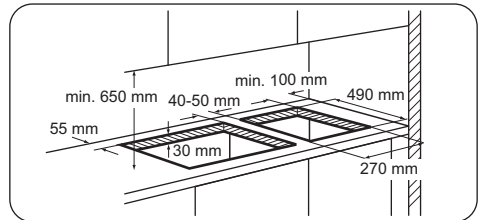
Einbau-Kochfelder dürfen nur nach dem Einbau in bzw. unter normgerechte, passende Einbauschränke und Arbeitsplatten betrieben werden.

ANSCHLUSSKABEL

- Das Kochfeld wird mit einem Anschlusskabel geliefert.
- Ersetzen Sie ein defektes Netzkabel durch ein Netzkabel des folgenden (oder eines höheren)

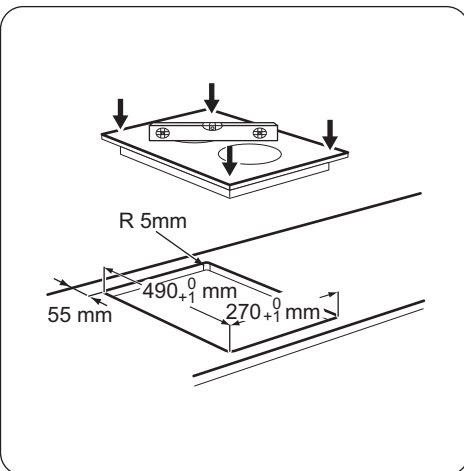
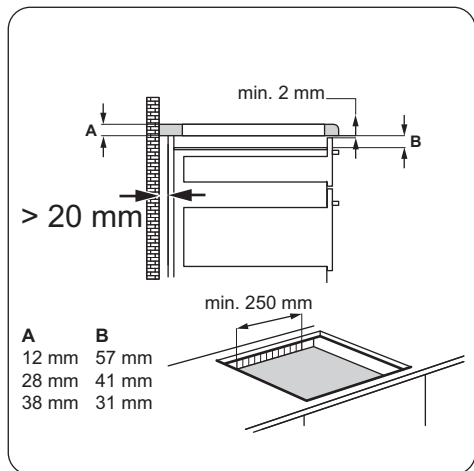
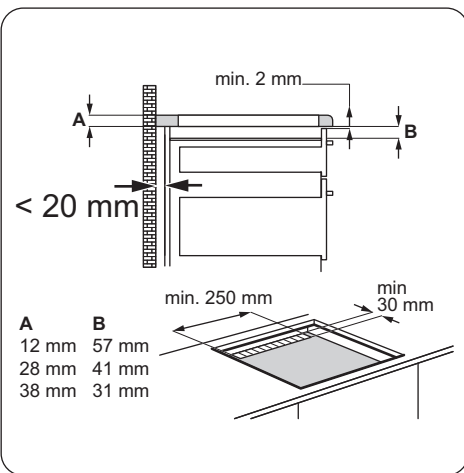
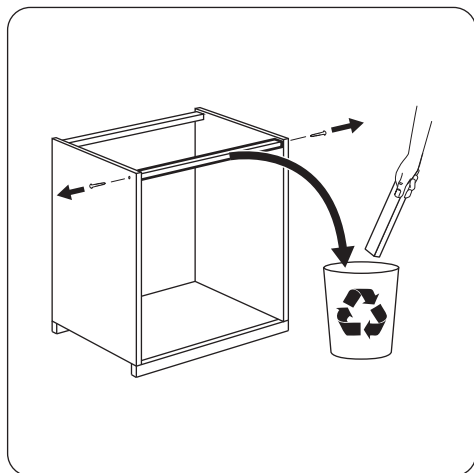
Typs: H05V2V2-F T min 90°C. Wenden Sie sich an den Kundendienst.

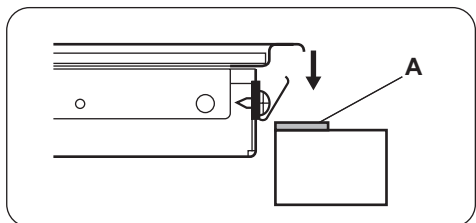
MONTAGE VON MEHR ALS EINEM KOCHFELD



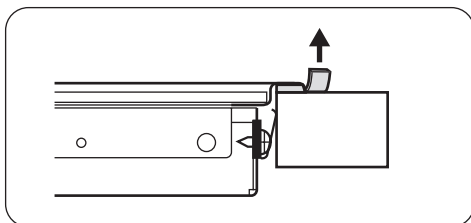
Verwenden Sie den Montage-Bausatz, der einen seitlichen Stützträger und zusätzliche Dichtungen enthält, wenn mehrere 30-cm-Kochfelder nebeneinander in dieselbe Aussparung eingebaut werden. Der Bausatz ist beim autorisierten Kundendienst erhältlich. Die Montageanleitung wird mit dem Bausatz geliefert.

MONTAGE

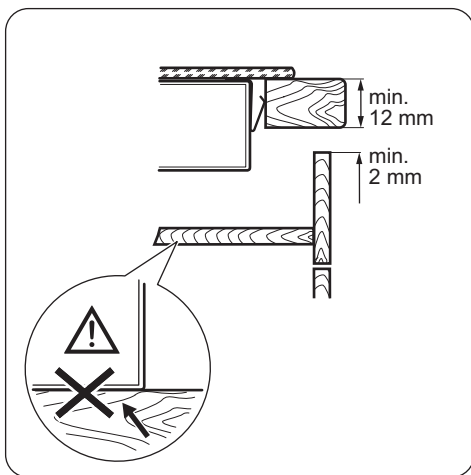
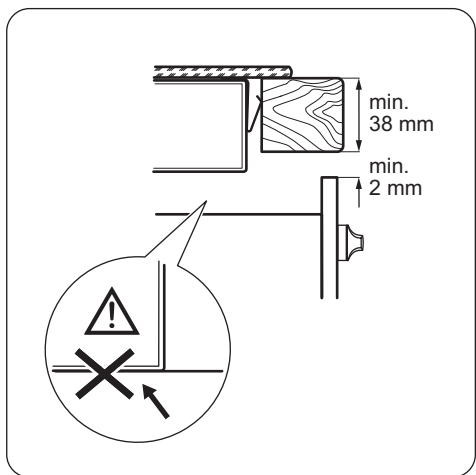




Bringen Sie die Dichtung A um den gesamten Rand der Aussparung an.

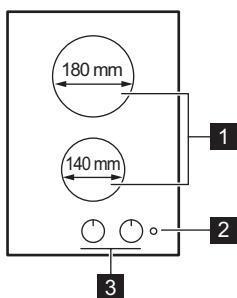


Setzen Sie das Kochfeld in die Aussparung und drücken Sie es nach unten, bis es die Arbeitsplatte berührt. Entfernen Sie dann die überschüssige Dichtung.



GERÄTEBESCHREIBUNG

KOCHFELDANORDNUNG



- 1** Induktionskochzone
- 2** Betriebs-Kontrolllampe
- 3** Einstellknöpfe

KOCHZONEN-EINSTELLKNOPF

Symbol	Funktion
0	Stellung Aus
1 - 9	Kochstufen

RESTWÄRME



WARNUNG! Es besteht Verbrennungsfahr durch Restwärme.

Die Induktionskochzonen erzeugen die erforderliche Hitze zum Kochen direkt im Boden des Kochgeschirrs. Die Glaskeramik wird nur durch die Wärme des Kochgeschirrs erhitzt.

TÄGLICHER GEBRAUCH



WARNUNG! Siehe Kapitel "Sicherheitshinweise".

KOCHSTUFE

Drehen Sie den Knopf zum Einstellen oder Ändern der Kochstufe auf die richtige Kochstufe. Zum

Ausschalten drehen Sie den Knopf auf die Aus-Position.

Die Betriebs-Kontrolllampe leuchtet, wenn eine oder mehrere Kochzonen eingeschaltet sind. Die Kontrolllampe erlischt, wenn Sie die Kochzonen ausschalten.

TIPPS UND HINWEISE



WARNUNG! Siehe Kapitel "Sicherheitshinweise".

KOCHGESCHIRR



Das Kochgeschirr wird bei Induktionskochzonen durch ein starkes Magnetfeld sehr schnell erhitzt.



Benutzen Sie für die Induktionskochzonen geeignetes Kochgeschirr.

Induktionskochzonen passen sich der Größe des Geschirrbodens bis zu einer bestimmten Grenze automatisch an.

Die Kochzoneneffizienz hängt vom Durchmesser des Kochgeschirrs ab. An Kochgeschirr mit einem kleineren Durchmesser als der Mindestdurchmesser gelangt nur ein Teil der von der Kochzone erzeugten Hitze.



Siehe Kapitel „Technische Daten“.

Kochgeschirrmaterial

- **Geeignet:** Gusseisen, Stahl, emaillierter Stahl, Edelstahl, ein mehrlagiger Topfboden (wenn vom Hersteller als geeignet markiert).
- **Nicht geeignet:** Aluminium, Kupfer, Messing, Glas, Keramik, Porzellan.

Kochgeschirr eignet sich für Induktions-Kochfelder, wenn:

- Eine geringe Wassermenge auf einer Kochzone, die auf die höchste Stufe geschaltet ist, sehr schnell aufkocht.
- Ein Magnet vom Geschirrboden angezogen wird.



Der Boden des Kochgeschirrs sollte so dick und flach wie möglich sein.

Abmessungen des Kochgeschirrs

BETRIEBSGERÄUSCHE

Es gibt verschiedene Betriebsgeräusche:

- Knacken: Das Kochgeschirr besteht aus unterschiedlichen Materialien (Sandwichkonstruktion).
- Pfeifen: Sie haben die Kochzone auf eine hohe Stufe geschaltet und das Kochgeschirr besteht aus unterschiedlichen Materialien (Sandwichkonstruktion).
- Summen: Sie haben die Kochzone auf eine hohe Stufe geschaltet.
- Klicken: Bei elektronischen Schaltvorgängen.
- Zischen, Surren: Der Ventilator läuft.

Die Geräusche sind normal und weisen nicht auf eine Störung des Kochfelds hin.

ANWENDUNGSBEISPIELE FÜR DAS GAREN

Das Verhältnis zwischen der Kochstufe und dem Energieverbrauch der Kochzone ist nicht linear. Bei

einer höheren Kochstufe steigt der Energieverbrauch der Kochzone nicht proportional an. Das bedeutet, dass die Kochzone, die auf eine mittlere Kochstufe eingestellt ist, weniger als die Hälfte ihrer maximalen Leistung verbraucht.



Bei den Angaben in der folgenden Tabelle handelt es sich um Richtwerte.

Kochstufe	Verwendung:	Dauer (Min.)	Hinweise
1	Warmhalten von gegarten Speisen.	Nach Bedarf	Legen Sie einen Deckel auf das Kochgeschirr.
1 - 2	Sauce Hollandaise, Schmelzen von: Butter, Schokolade, Gelatine.	5 - 25	Gelegentlich umrühren.
1 - 2	Stocken: Lockere Omeletts, gebackene Eier.	10 - 40	Mit Deckel garen.
2 - 3	Köcheln von Reis und Milchgerichten, Erhitzen von Fertiggerichten.	25 - 50	Mindestens doppelte Menge Flüssigkeit zum Reis geben, Milchgerichte zwischendurch umrühren.
3 - 4	Dünsten von Gemüse, Fisch, Fleisch.	20 - 45	Einige Esslöffel Flüssigkeit hinzugeben.
4 - 5	Dampfgaren von Kartoffeln.	20 - 60	Max. ¼ l Wasser für 750 g Kartoffeln verwenden.
4 - 5	Kochen größerer Speisemengen, Eintopfgerichte und Suppen.	60 - 150	Bis zu 3 l Flüssigkeit plus Zutaten.
6 - 7	Bei geringer Hitze anbraten: Schnitzel, Cordon bleu, Kotelett, Frikadellen, Bratwürste, Leber, Mehlschwitze, Eier, Pfannkuchen, Donuts.	Nach Bedarf	Nach der Hälfte der Zeit wenden.
7 - 8	Braten bei starker Hitze: Rösti, Lendenstücke, Steaks.	5 - 15	Nach der Hälfte der Zeit wenden.
9	Aufkochen von Wasser, Nudeln kochen, Anbraten von Fleisch (Gulasch, Schmorbraten), Frittieren von Pommes frites.		

REINIGUNG UND PFLEGE



WARNUNG! Siehe Kapitel "Sicherheitshinweise".

ALLGEMEINE INFORMATIONEN

- Reinigen Sie das Kochfeld nach jedem Gebrauch.
- Achten Sie immer darauf, dass der Boden des Kochgeschirrs sauber ist.

- Kratzer oder dunkle Flecken auf der Oberfläche beeinträchtigen die Funktionsfähigkeit des Kochfelds nicht.
- Verwenden Sie einen Spezialreiniger zur Reinigung der Kochfeldoberfläche.
- Verwenden Sie einen speziellen Reinigungsschaber für Glas.

REINIGEN DES KOCHFELDS

- **Folgendes muss sofort entfernt werden:** geschmolzener Kunststoff, Plastikfolie, Zucker bzw. zuckerhaltige Lebensmittel. Andernfalls können die Verschmutzungen das Kochfeld beschädigen. Achten Sie darauf, dass sich niemand Verbrennungen zuzieht. Den speziellen Reinigungsschaber schräg zur Glasfläche ansetzen und über die Oberfläche bewegen.
- **Folgendes kann nach ausreichender Abkühlung des Kochfelds entfernt werden:**

- Kalk- und Wasserränder, Fettspritzer und metallisch schimmernde Verfärbungen. Reinigen Sie das Kochfeld mit einem feuchten Tuch und nicht scheuernden Reinigungsmittel. Wischen Sie das Kochfeld nach der Reinigung mit einem weichen Tuch trocken.
- **Entfernen Sie metallisch schimmernde Verfärbungen:** Benutzen Sie für die Reinigung der Glasoberfläche ein mit einer Lösung aus Essig und Wasser angefeuchtetes Tuch.

FEHLERSUCHE



WARNUNG! Siehe Kapitel "Sicherheitshinweise".

WAS TUN, WENN ...

Störung	Mögliche Ursache	Abhilfe
Das Kochfeld kann nicht eingeschaltet oder bedient werden.	Das Kochfeld ist nicht oder nicht ordnungsgemäß an die Spannungsversorgung angeschlossen.	Prüfen Sie, ob das Kochfeld ordnungsgemäß an die Spannungsversorgung angeschlossen ist. Nehmen Sie dazu den Anschlussplan zu Hilfe.
	Die Sicherung ist durchgebrannt.	Vergewissern Sie sich, dass die Sicherung der Grund für die Störung ist. Brennt die Sicherung wiederholt durch, wenden Sie sich an eine zugelassene Elektrofachkraft.

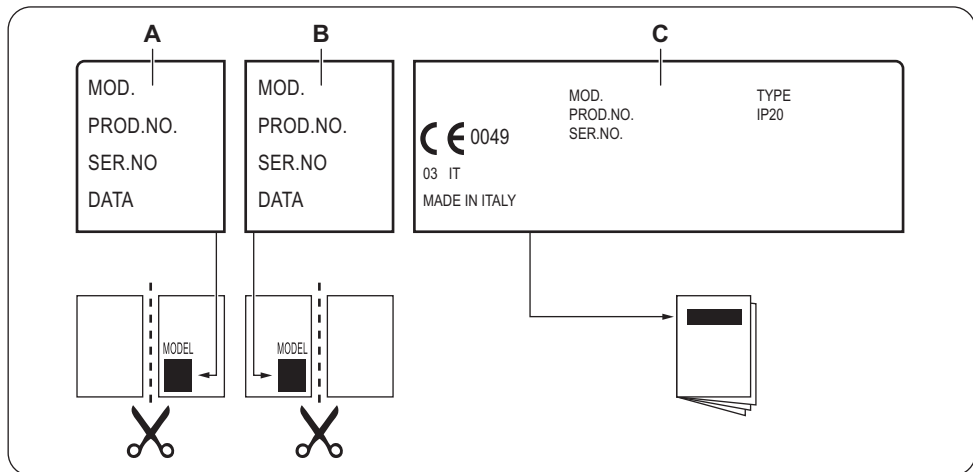
WENN SIE DAS PROBLEM NICHT LÖSEN KÖNNEN...

Wenn Sie das Problem nicht selbst lösen können, wenden Sie sich an Ihren Händler oder einen autorisierten Kundendienst. Geben Sie die Daten, die Sie auf dem Typenschild finden, an. Geben Sie dabei den dreistelligen Buchstaben-Code für die Glaskeramik (befindet sich in der Ecke der

Glasfläche) an. Vergewissern Sie sich, dass Sie das Kochfeld korrekt bedient haben. Wenn Sie das Gerät falsch bedient haben, fällt auch während der Garantiezeit für die Reparatur durch einen Techniker oder Händler eine Gebühr an. Die Informationen zum Kundendienst und die Garantiebedingungen finden Sie im Garantieheft.

IM ZUBEHÖRBEUTEL MITGELIEFERTE AUFKLEBER

Bringen Sie die Aufkleber, wie unten gezeigt, an:



- A.** Kleben Sie ihn auf die Garantiekarte und verschicken Sie diesen Teil (falls vorhanden).
B. Kleben Sie ihn auf die Garantiekarte und behalten Sie diesen Teil (falls vorhanden).

- C.** Kleben Sie ihn auf die Gebrauchsanleitung.

TECHNISCHE DATEN

TECHNISCHE DATEN DER KOCHZONEN

Kochzone	Nennleistung (höchste Kochstufe) [W]	Power-Funktion [W]	Power-Funktion maximale Einschaltdauer [Min.]	Durchmesser des Kochgeschirrs [mm]
Vorne Mitte	1400	-	-	125 - 140
Hinten Mitte	1800	-	-	145 - 180

Die Leistung der Kochzonen kann geringfügig von den Daten in der Tabelle abweichen. Sie ändert sich je nach Material und Abmessungen des Kochgeschirrs.

Verwenden Sie für optimale Kochergebnisse kein Kochgeschirr, dessen Durchmesser größer als der in der Tabelle angegebene Wert ist.

ENERGIEEFFIZIENZ

PRODUKTINFORMATIONEN GEMÄSS EU 66/2014

Modellidentifikation		ZEI3921IBA
Kochfeldtyp		Einbau-Kochfeld
Anzahl der Kochzonen		2
Heiztechnologie		Induktion
Durchmesser der kreisförmigen Kochzonen (Ø)	Vorne Mitte Hinten Mitte	14,0 cm 18,0 cm
Energieverbrauch pro Kochzone (EC electric cooking)	Vorne Mitte Hinten Mitte	188,8 Wh/kg 183,0 Wh/kg
Energieverbrauch des Kochfelds (EC electric hob)		185,9 Wh/kg

EN 60350-2 - Elektrische Kochgeräte für den Hausgebrauch - Teil 2: Kochfelder - Verfahren zur Messung der Gebrauchseigenschaften


ENERGIE SPAREN


Beachten Sie folgende Tipps, um beim täglichen Kochen Energie zu sparen.

- Wenn Sie Wasser erwärmen, verwenden Sie nur die benötigte Menge.
- Decken Sie Kochgeschirr, wenn möglich, mit einem Deckel ab.

- Stellen Sie Kochgeschirr auf die Kochzone, bevor Sie sie einschalten.
- Stellen Sie kleineres Kochgeschirr auf die kleineren Kochzonen.
- Stellen Sie das Kochgeschirr mittig auf die Kochzone.
- Nutzen Sie die Restwärme, um die Speisen warm zu halten oder zu schmelzen.

UMWELTTIPPS

Recyceln Sie Materialien mit dem Symbol . Entsorgen Sie die Verpackung in den entsprechenden Recyclingbehältern. Recyceln Sie zum Umwelt- und Gesundheitsschutz elektrische und elektronische Geräte. Entsorgen Sie Geräte

mit diesem Symbol  nicht mit dem Hausmüll. Bringen Sie das Gerät zu Ihrer örtlichen Sammelstelle oder wenden Sie sich an Ihr Gemeindeamt.

VISITA IL NOSTRO SITO WEB PER:



Ricevere consigli, scaricare i nostri opuscoli, eliminare eventuali anomalie, ottenere informazioni sull'assistenza e la riparazione:

www.zanussi.com/support

INFORMAZIONI DI SICUREZZA

Leggere attentamente le istruzioni fornite prima di installare e utilizzare l'apparecchiatura. I produttori non sono responsabili di eventuali lesioni o danni derivanti da un'installazione o un uso scorretti. Conservare sempre le istruzioni in un luogo sicuro e accessibile per poterle consultare in futuro.

SICUREZZA DEI BAMBINI E DELLE PERSONE VULNERABILI

- Questa apparecchiatura può essere usata da bambini a partire dagli 8 anni e da adulti con limitate capacità fisiche, sensoriali o mentali o con scarsa esperienza o conoscenza sull'uso dell'apparecchiatura, solamente se sorvegliati o se istruiti relativamente all'uso dell'apparecchiatura e se hanno compreso i rischi coinvolti.
- Non consentire ai bambini di giocare con l'apparecchiatura.
- Tenere gli imballaggi lontano dai bambini e smaltirli in modo adeguato.
- Tenere i bambini e gli animali domestici lontano dall'apparecchiatura durante il funzionamento o raffreddamento. Le parti accessibili sono incandescenti.
- Se l'apparecchiatura ha un dispositivo di sicurezza per i bambini sarà opportuno attivarlo.
- I bambini non devono eseguire interventi di pulizia e manutenzione sull'apparecchiatura senza essere supervisionati.
- I bambini di 3 anni e di età inferiore vanno tenuti alla larga dall'apparecchiatura quando è in funzione, in ogni momento.

AVVERTENZE DI SICUREZZA GENERALI

- **AVVERTENZA:** L'apparecchiatura e le parti accessibili si riscaldano molto durante l'uso. Abbiate cura di non toccare gli

elementi riscaldanti. Tenere lontani i bambini al di sotto dei 8 anni se non costantemente supervisionati.

- Non utilizzare un timer esterno o un sistema di controllo remoto distinto per mettere in funzione l'apparecchiatura.
- **AVVERTENZA:** Non lasciare mai il piano di cottura incustodito durante la preparazione di cibi in quanto olio e grassi potrebbero provocare un incendio.
- Non tentare **MAI** di spegnere un incendio con dell'acqua; spegnere l'apparecchiatura e coprire le fiamme ad es. con un coperchio o una coperta di protezione dal fuoco.
- **ATTENZIONE:** Il processo di cottura deve essere sorvegliato. Un breve processo di cottura deve essere supervisionato senza soluzione di continuità.
- **AVVERTENZA:** Pericolo di incendio: Non conservare nulla sulle superfici di cottura.
- Oggetti metallici quali coltelli, forchette, cucchiari e coperchi non dovrebbero essere posti sulla superficie del piano di cottura in quanto possono diventare caldi.
- Non usare una pulitrice a vapore per pulire l'apparecchiatura.
- Dopo l'uso, spegnere l'elemento utilizzato mediante la corrispondente manopola, senza considerare quanto indicato dal rilevatore di utensili.
- Se la superficie di vetroceramica/vetro presenta delle crepe, spegnere l'apparecchiatura per evitare il rischio di scossa elettrica.
- Se il cavo di alimentazione è danneggiato, deve essere sostituito dal produttore, da un tecnico autorizzato o da una persona qualificata per evitare situazioni di pericolo.
- **AVVERTENZA:** Servirsi unicamente di protezioni per il piano cottura progettate dal produttore dell'apparecchiatura o indicate dallo stesso nelle istruzioni d'uso, ad esempio accessori idonei o le protezioni del piano cottura incorporate nell'apparecchiatura. L'uso inadeguato delle protezioni può causare incidenti.

ISTRUZIONI DI SICUREZZA

INSTALLAZIONE



AVVERTENZA! L'installazione dell'apparecchiatura deve essere eseguita da personale qualificato.



AVVERTENZA! Vi è il rischio di ferirsi o danneggiare l'apparecchiatura.

- Rimuovere tutti i materiali di imballaggio.
 - Non installare o utilizzare l'apparecchiatura se è danneggiata.
 - Attenersi alle istruzioni fornite insieme all'apparecchiatura.
 - È necessario rispettare la distanza minima dalle altre apparecchiature.
 - Prestare sempre attenzione in fase di spostamento dell'apparecchiatura, dato che è pesante. Usare sempre i guanti di sicurezza e le calzature adeguate.
 - Proteggere le superfici di taglio con un materiale di tenuta per evitare che l'umidità causi dei rigonfiamenti.
 - Proteggere la base dell'apparecchiatura da vapore e umidità.
 - Non installare l'apparecchiatura accanto ad una porta o sotto una finestra. Per evitare che pentole calde cadano dall'apparecchiatura quando la porta o la finestra sono aperte.
 - Se l'apparecchiatura viene installata sopra dei cassette, assicurarsi che lo spazio, tra la base dell'apparecchiatura e il cassetto superiore, sia sufficiente per il ricircolo d'aria.
 - La base dell'apparecchiatura può surriscaldarsi. Si consiglia di installare un pannello divisorio in materiale non infiammabile al di sotto dell'apparecchiatura per rendere inaccessibile la base.
 - Assicurarsi che lo spazio per il ricircolo d'aria di 2 mm, tra il piano di lavoro e la parte anteriore dell'unità sottostante sia libero. La garanzia non copre danni dovuti all'assenza di uno spazio di ventilazione adeguato.
- Prima di qualsiasi intervento, è necessario verificare che l'apparecchiatura sia scollegata dalla rete elettrica.
 - Verificare che i dati elettrici riportati sulla targhetta dei dati corrispondano a quelli dell'impianto. In caso contrario, contattare un elettricista.
 - Verificare che l'apparecchiatura sia installata correttamente. L'allentamento di un collegamento elettrico o di una spina (ove previsti) può provocare il surriscaldamento del terminale.
 - Utilizzare il cavo di alimentazione appropriato.
 - Evitare che i collegamenti elettrici si aggroviglino.
 - Assicurarsi che la protezione da scosse elettriche sia installata.
 - Utilizzare il morsetto fermacavo sul cavo.
 - Assicurarsi che il cavo di alimentazione o la spina (ove prevista) non sfiori l'apparecchiatura calda o pentole calde quando si collega l'apparecchiatura alle prese vicine
 - Non utilizzare prese multiple e prolunghe.
 - Accertarsi di non danneggiare la spina e il cavo (ove previsti). Contattare il nostro Centro di Assistenza autorizzato o un elettricista qualificato per sostituire un cavo danneggiato.
 - I dispositivi di protezione da scosse elettriche devono essere fissati in modo tale da non poter essere disattivati senza l'uso di attrezzi.
 - Inserire la spina di alimentazione nella presa solo al termine dell'installazione. Verificare che la spina di alimentazione rimanga accessibile dopo l'installazione.
 - Nel caso in cui la spina di corrente sia allentata, non collegarla alla presa.
 - Non tirare il cavo di alimentazione per scollegare l'apparecchiatura. Tirare solo la spina.
 - Servirsi unicamente di dispositivi di isolamento adeguati: interruttori automatici, fusibili (quelli a tappo devono essere rimossi dal portafusibile), sganciatori per correnti di guasto a terra e relé.
 - L'impianto elettrico deve essere dotato di un dispositivo di isolamento che consenta di scollegare l'apparecchiatura dalla presa di corrente a tutti i poli. Il dispositivo di isolamento deve avere una larghezza dell'apertura di contatto non inferiore ai 3 mm.

COLLEGAMENTO ELETTRICO



AVVERTENZA! Rischio di incendio e scossa elettrica.

- Tutti i collegamenti elettrici devono essere realizzati da un elettricista qualificato.
- L'apparecchiatura deve disporre di una messa a terra.

UTILIZZO



AVVERTENZA! Rischio di lesioni, ustioni o scosse elettriche.

- Rimuovere tutti i materiali di imballaggio, le etichette e la pellicola protettiva (ove presente) prima del primo utilizzo.
- Utilizzare l'apparecchiatura in un ambiente domestico.
- Non modificare le specifiche tecniche dell'apparecchiatura.
- Accertarsi che le fessure di ventilazione non siano ostruite.
- Non lasciare mai l'apparecchiatura incustodita durante il funzionamento.
- Spegnere la zona di cottura dopo ogni utilizzo.
- Non fare affidamento sul rilevatore di pentole.
- Non appoggiare posate o coperchi sulle zone di cottura. Possono diventare roventi.
- Non mettere in funzione l'apparecchiatura con le mani umide o quando c'è un contatto con l'acqua.
- Non utilizzare l'apparecchiatura come superficie di lavoro o come piano di appoggio.
- Se la superficie dell'apparecchiatura presenta delle incrinature, scollegare immediatamente l'apparecchiatura dall'alimentazione. per evitare scosse elettriche.
- I portatori di pacemaker, devono mantenere una distanza di almeno 30 cm dalle zone di cottura a induzione quando l'apparecchiatura è in funzione.
- Un alimento immerso nell'olio molto caldo può provocare degli schizzi.
- Fare attenzione a non lasciar cadere oggetti o pentole sull'apparecchiatura. La superficie si potrebbe danneggiare.
- Non mettere in funzione le zone di cottura in assenza di pentole o con pentole vuote.
- Non appoggiare la pellicola di alluminio direttamente sull'apparecchiatura.
- Lo spostamento di pentole in ghisa, in alluminio o con fondi danneggiati può graffiare il vetro o la vetroceramica. Per spostare questi oggetti sollevarli sempre dalla superficie di cottura.
- L'apparecchiatura è destinata solo alla cottura. Non deve essere utilizzata per altri scopi, come per esempio il riscaldamento di un ambiente.

MANUTENZIONE E PULIZIA



AVVERTENZA! Non togliere pulsanti, manopole o guarnizioni dal pannello dei comandi. L'acqua potrebbe penetrare nell'apparecchiatura e causare danni.

- Pulire regolarmente l'apparecchiatura per evitare il deterioramento dei materiali che compongono la superficie.
- Disattivare l'apparecchiatura e lasciarla raffreddare prima di procedere con la pulizia.
- Scollegare l'apparecchiatura dalla rete elettrica prima di eseguire le operazioni di manutenzione.
- Non nebulizzare acqua né utilizzare vapore per pulire l'apparecchiatura.
- Pulire l'apparecchiatura con un panno inumidito e morbido. Utilizzare solo detergenti neutri. Non usare prodotti abrasivi, spugnette abrasive, solventi od oggetti metallici.



AVVERTENZA! Pericolo di incendio ed esplosioni.

- Grassi e olio caldi possono rilasciare vapori infiammabili. Mantenere fiamme o oggetti caldi lontani da grassi e olio quando li si utilizza per cucinare.
- I vapori rilasciati da un olio molto caldo possono provocare una combustione spontanea.
- L'olio usato, che può contenere residui di cibo, può liberare delle fiamme ad una temperatura inferiore rispetto ad un olio utilizzato per la prima volta.
- Non appoggiare o tenere liquidi o materiali infiammabili, né oggetti facilmente incendiabili sull'apparecchiatura, al suo interno o nelle immediate vicinanze.



AVVERTENZA! Vi è il rischio di danneggiare l'apparecchiatura.

- Non poggiare pentole calde sul pannello dei comandi.
- Non mettere coperchi caldi sulla superficie in vetro del piano cottura.
- Non esporre al calore pentole vuote.

ASSISTENZA

- Per far riparare l'apparecchiatura, rivolgersi a un Centro di Assistenza Autorizzato. Utilizzare solo ricambi originali.
- Per quanto riguarda la lampada o le lampade all'interno di questo prodotto e le lampade di ricambio vendute separatamente: Queste lampade sono destinate a resistere a condizioni fisiche estreme negli elettrodomestici, come temperatura, vibrazioni, umidità, o sono destinate a segnalare informazioni sullo stato operativo dell'apparecchio. Non sono destinate ad essere utilizzate in altre applicazioni e non sono adatte per l'illuminazione di ambienti domestici.

SMALTIMENTO



AVVERTENZA! Rischio di lesioni o soffocamento.

- Rivolgersi all'autorità municipale per informazioni su come smaltire correttamente l'elettrodomestico.
- Staccare la spina dall'alimentazione elettrica.
- Tagliare il cavo elettrico dell'apparecchiatura e smaltirlo.

INSTALLAZIONE



AVVERTENZA! Fare riferimento ai capitoli sulla sicurezza.

PRIMA DELL'INSTALLAZIONE

Prima di installare il piano di cottura, annotare l'informazione riportata di seguito presente sulla targhetta dei dati. La targhetta dei dati è applicata sul lato inferiore del piano di cottura.

Modello
 PNC
 Numero di serie

PIANI DI COTTURA DA INCASSO

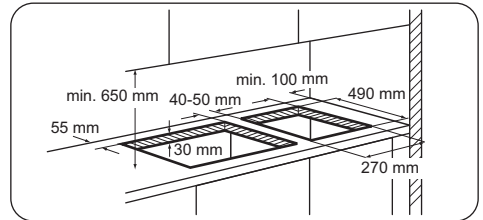
Utilizzare esclusivamente piani di cottura da incasso solo dopo l'installazione in idonei piani di lavoro e mobili da incasso conformi alle norme.

CAVO DI COLLEGAMENTO

- Il piano di cottura è fornito con un cavo di collegamento.
- Per sostituire il cavo di alimentazione danneggiato, utilizzare il tipo di cavo di

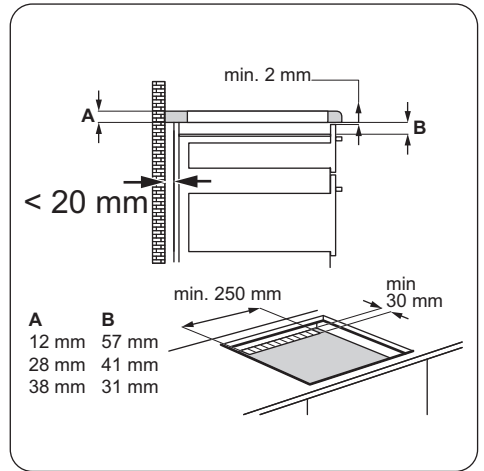
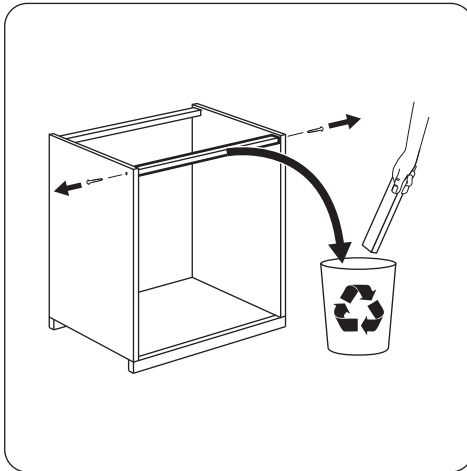
alimentazione seguente (o superiore):
 H05V2V2-F T min 90°C. Contattare il Centro di Assistenza locale.

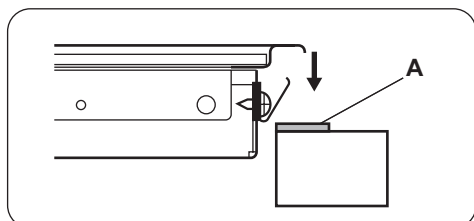
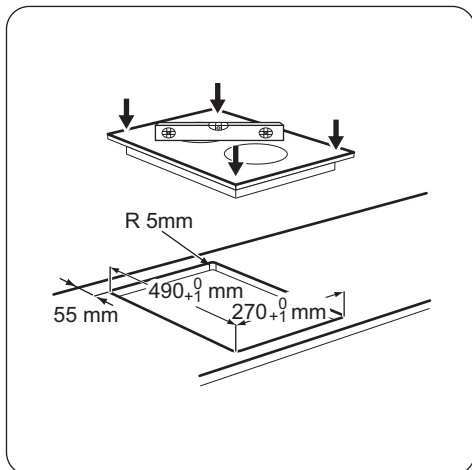
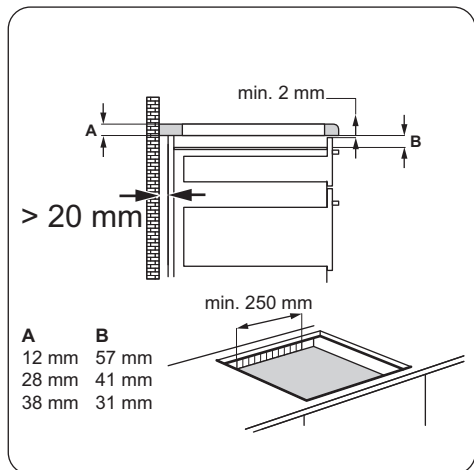
INSTALLAZIONE DI PIÙ DI UN PIANO DI COTTURA



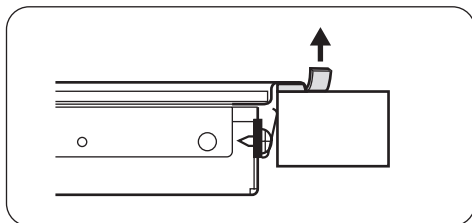
Se devono essere installati diversi piani di cottura di 30 cm fianco a fianco nello stesso incasso, presso i nostri Centri di Assistenza autorizzati sono disponibili: un kit di assemblaggio che include una staffa di supporto laterale e guarnizioni supplementari. Le relative istruzioni di installazione vengono fornite assieme al kit.

MONTAGGIO

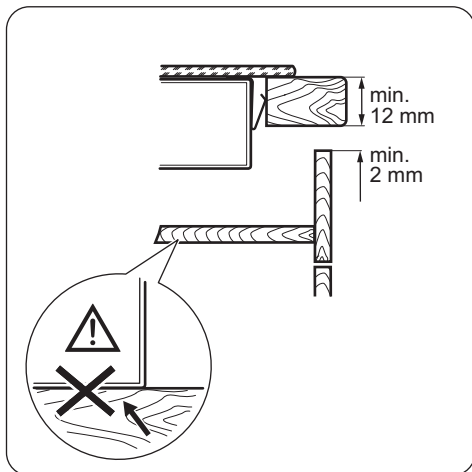
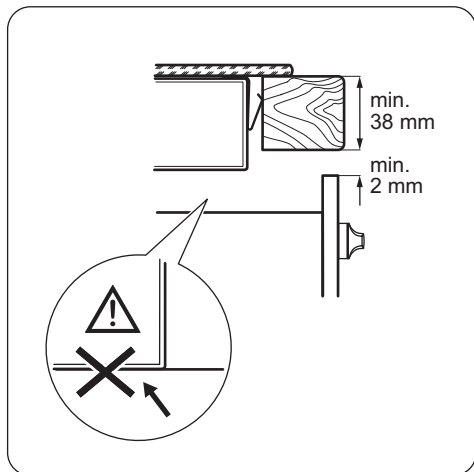




Collocare la guarnizione di tenuta A tutt'attorno al bordo dell'incasso.

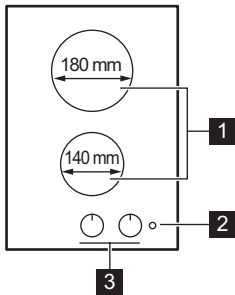


Montare il piano di cottura nell'incasso e spingerlo in basso finché non viene a contatto con la superficie superiore della cucina, quindi rimuovere la guarnizione in eccesso.



DESCRIZIONE DEL PRODOTTO

DISPOSIZIONE DELLA SUPERFICIE DI COTTURA



- 1 Zona di cottura a induzione
- 2 Spia di accensione
- 3 Manopole di regolazione

MANOPOLA DI REGOLAZIONE

Simbolo	Funzione
0	Posizione di spegnimento
1 - 9	Livelli di potenza

CALORE RESIDUO



AVVERTENZA! Il calore residuo può essere causa di ustioni.

Le zone di cottura a induzione generano il calore richiesto per la cottura direttamente sul fondo della pentola. Il piano in vetroceramica viene leggermente riscaldato dal calore residuo delle pentole.

UTILIZZO QUOTIDIANO



AVVERTENZA! Fare riferimento ai capitoli sulla sicurezza.

LIVELLO DI POTENZA

Per impostare o modificare il livello di potenza, ruotare la manopola sul livello di potenza corretto.

Portare la manopola sulla posizione di spento per spegnere l'apparecchiatura.

La spia di controllo si aziona quando una o più zone di cottura sono attive. Spegnendo le zone di cottura, la spia si disattiva.

CONSIGLI E SUGGERIMENTI UTILI



AVVERTENZA! Fare riferimento ai capitoli sulla sicurezza.



Utilizzare le zone di cottura a induzione con pentole idonee.

PENTOLE



Per le zone cottura a induzione, un forte campo elettromagnetico crea calore nelle pentole molto rapidamente.

Materiale delle pentole

- **materiali idonei:** ghisa, acciaio, acciaio smaltato, acciaio inox, fondi multistrato (se specificati come idonei dal produttore).
- **materiali non idonei:** alluminio, rame, ottone, vetro, ceramica, porcellana.

Una pentola è idonea per un piano di cottura a induzione se:

- una piccola quantità d'acqua su una zona di cottura a induzione impostata sul livello di cottura massimo si riscalda in breve tempo.
- una calamita si attacca al fondo delle pentole.



Il fondo delle pentole dovrebbe essere il più possibile spesso e piano.

Dimensioni delle pentole

Le zone di cottura a induzione si adattano automaticamente alle dimensioni del fondo delle pentole entro determinati limiti.

L'efficienza della zona di cottura dipende dal diametro delle pentole. Una pentola con un diametro inferiore alla zona più piccola riceve solo una parte della potenza generata dalla zona di cottura.



Fare riferimento al capitolo "Dati tecnici".

I RUMORI DURANTE L'USO

Se si avverte:

- crepitio: si stanno utilizzando pentole di materiali diversi (costruzione a sandwich).
- fischio: si stanno utilizzando la zona di cottura a livelli di potenza elevati con pentole di materiali diversi (costruzione a sandwich).
- ronzio: si stanno utilizzando livelli di potenza elevati.
- scatto: sono state accese parti elettriche.
- sibilo, ronzio: è in funzione la ventola.

I rumori descritti sono normali e non sono da ricondurre a un guasto del piano di cottura.

ESEMPI DI IMPIEGO PER LA COTTURA

Il rapporto tra il livello di potenza e il consumo di energia della zona di cottura non è regolare.

L'aumento del livello di potenza non è proporzionale all'aumento del consumo di energia della zona di cottura. Ciò significa che la zona di cottura con un livello di potenza medio impiega meno della metà della propria energia.



I dati riportati in tabella sono puramente indicativi.

Livello di potenza	Usare per:	Tempo (min.)	Suggerimenti
1	Tenere in caldo le pietanze cotte.	secondo necessità	Mettere un coperchio sulla pentola.
1 - 2	Salsa olandese, sciogliere: burro, cioccolata, gelatina.	5 - 25	Mescolare di tanto in tanto.
1 - 2	Rassodare: omelette morbide, uova strapazzate.	10 - 40	Cucinare coprendo con un coperchio.
2 - 3	Cuocere riso e pietanze a base di latte, riscaldare pietanze pronte.	25 - 50	Aggiungere al riso almeno una doppia quantità di liquido, mescolare di tanto in tanto i preparati a base di latte.
3 - 4	Cuocere a vapore verdure, pesce, carne.	20 - 45	Aggiungere alcuni cucchiaini di liquido.
4 - 5	Cuocere al vapore le patate.	20 - 60	Usare al max. ¼ l di acqua per 750 g di patate.
4 - 5	Bollire grandi quantità di alimenti, stufati e zuppe.	60 - 150	Fino a 3 l di liquido più gli ingredienti.
6 - 7	Cottura delicata: cotolette, cordon bleu, costolette, polpette, salsicce, fegato, roux, uova, frittelle, krapfen.	secondo necessità	Girare a metà tempo.

Livello di potenza	Usare per:	Tempo (min.)	Suggerimenti
7 - 8	Frittura, frittelle di patate, lombate, bistecche.	5 - 15	Girare a metà tempo.
9	Portare a ebollizione l'acqua, cuocere la pasta, rosolare la carne (gulasch, stufati), friggere patatine.		

PULIZIA E CURA



AVVERTENZA! Fare riferimento ai capitoli sulla sicurezza.

INFORMAZIONI GENERALI

- Pulire il piano di cottura dopo ogni impiego.
- Usare sempre pentole con il fondo pulito.
- I graffi o le macchie scure sulla superficie non compromettono il funzionamento del piano di cottura.
- Usare un prodotto di pulizia speciale adatto alla superficie del piano di cottura.
- Il vetro richiede l'uso di un raschietto speciale.

PULIZIA DEL PIANO DI COTTURA

- **Togliere immediatamente:** plastica fusa, pellicola in plastica, zucchero e alimenti

contenenti zucchero. Se non vengono eliminati, potrebbero danneggiare il piano di cottura. Attenzione a evitare le ustioni. Appoggiare lo speciale raschietto sulla superficie in vetro, formando un angolo acuto, e spostare la lama sulla superficie.

- **Quando il piano di cottura è sufficientemente raffreddato, è possibile rimuovere:** i segni di calcare e d'acqua, le macchie di grasso e le macchie opalescenti. Pulire il piano di cottura con un panno umido e un detergente non abrasivo. Al termine della pulizia, asciugare il piano di cottura con un panno morbido.
- **Togliere macchie opalescenti:** usare una soluzione di acqua con aceto e pulire la superficie in vetro con un panno umido.

RISOLUZIONE DEI PROBLEMI



AVVERTENZA! Fare riferimento ai capitoli sulla sicurezza.

COSA FARE SE...

Problema	Causa possibile	Rimedio
Non è possibile attivare il piano di cottura o metterlo in funzione.	Il piano di cottura non è collegato a una fonte di alimentazione elettrica o non è collegato correttamente.	Accertarsi che il piano di cottura sia collegato correttamente alla rete elettrica. Fare riferimento allo schema di collegamento.
	È scattato il fusibile.	Verificare se l'anomalia di funzionamento è dovuta al fusibile. Nel caso in cui il fusibile continui a scattare, rivolgersi ad un elettricista qualificato.

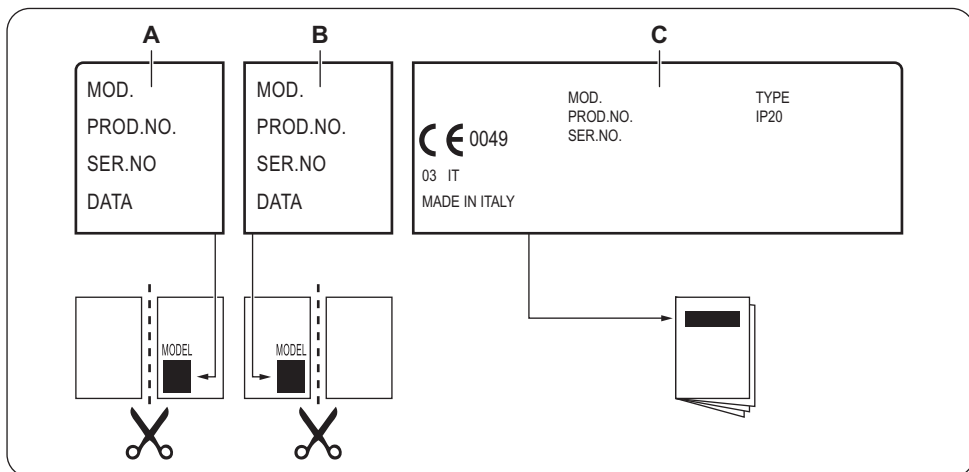
SE NON È POSSIBILE TROVARE UNA SOLUZIONE...

Qualora non sia possibile trovare una soluzione al problema, contattare il rivenditore o il Centro di Assistenza Autorizzato. Fornire i dati riportati sulla targhetta dei dati. Fornire inoltre il codice a tre lettere per il piano in vetroceramica (si trova nell'angolo della superficie in vetro) Assicurarsi di aver acceso il piano di cottura correttamente. In caso di azionamento errato dell'apparecchiatura,

l'intervento del tecnico del Centro di Assistenza o del rivenditore potrà essere effettuato a pagamento anche durante il periodo di garanzia. Le istruzioni relative al Centro di Assistenza e alle condizioni di garanzia sono contenute nel libretto della garanzia.

ETICHETTE FORNITE CON IL SACCHETTO DEGLI ACCESSORI

Attaccare le etichette adesive come indicato di seguito:



- A.** Attaccarla sul Foglietto di garanzia ed inviare questa parte (ove prevista).
B. Attaccarla sul Foglietto di garanzia e conservare questa parte (ove prevista).
C. Attaccarla sul libretto di istruzioni.

DATI TECNICI

CARATTERISTICHE TECNICHE ZONE DI COTTURA

Zona di cottura	Potenza nominale (impostazione di calore massima) [W]	Funzione Power [W]	Funzione Power durata massima [min.]	Diametro delle pentole [mm]
Anteriore centrale	1400	-	-	125 - 140
Posteriore centrale	1800	-	-	145 - 180

La potenza delle zone di cottura può differire in alcune circostanze rispetto ai dati presenti in tabella. Cambia a seconda del materiale e delle dimensioni delle pentole.

Per risultati di cottura ottimali, utilizzare pentole con un diametro non superiore a quello riportato in tabella.

EFFICIENZA ENERGETICA

INFORMAZIONI SUL PRODOTTO CONFORMI A EU 66/2014

Identificativo modello		ZEI3921IBA
Tipo di piano di cottura		Piano di cottura da incasso
Numero di zone di cottura		2
Tecnologia di calore		L'induzione
Diametro delle zone di cottura circolari (Ø)	Anteriore centrale Posteriore centrale	14,0 cm 18,0 cm
Consumo di energia per zona di cottura (EC electric cooking)	Anteriore centrale Posteriore centrale	188,8 Wh/kg 183,0 Wh/kg
Consumo di energia del piano di cottura (EC electric hob)		185,9 Wh/kg

EN 60350-2 - Apparecchiature elettriche per la cottura per uso domestico - Parte 2: Piani di cottura - Metodi per la misurazione delle prestazioni


RISPARMIO ENERGETICO


È possibile risparmiare energia quotidianamente durante la cottura seguendo i suggerimenti che seguono.

- Quando si riscalda l'acqua, utilizzare solo la quantità necessaria.

- Se possibile, coprire sempre le pentole con il coperchio.
- Prima di attivare la zona di cottura, sistemare la pentola.
- Sistemare le pentole più piccole sulle zone di cottura più piccole.
- Posizionare le pentole direttamente al centro della zona di cottura.
- Utilizzare il calore residuo per mantenere caldi i cibi o fonderli.

CONSIDERAZIONI SULL'AMBIENTE

Riciclare i materiali con il simbolo . Buttare l'imballaggio negli appositi contenitori per il riciclaggio. Aiutare a proteggere l'ambiente e la salute umana e a riciclare rifiuti derivanti da apparecchiature elettriche ed elettroniche. Non

smaltire le apparecchiature che riportano il simbolo  insieme ai normali rifiuti domestici. Portare il prodotto al punto di riciclaggio più vicino o contattare il comune di residenza.

WWW.ZANUSSI.COM/SHOP



CE

867332852-C-052021